

Door Closing Series

闭门器系列

闭门器安装方法 /Install way of the exoteric door closer

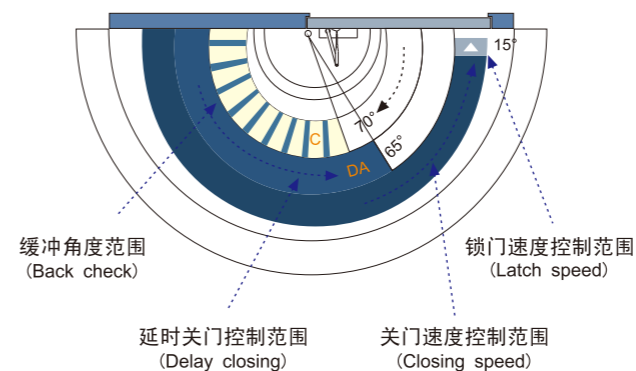


闭门器具备各种先进的功能供你选择 /Door closer has different advanced functions for your reference

- 90度停门功能:开门达到 90 度时开始, 门可保持静止状态。
- 关门速度和锁门速度连续可调:从90 度起关门速度最快可调到3秒以内, 缓慢关门达到40秒以上。
- 缓冲功能:在开门超过65 度后, 闭门器能产生一定的阻尼力量, 避开门力过大, 速度过快导致撞墙, 并且其阻尼力量可调。
- 延时关门功能:在 180-65 度之间, 工人预设 为 20秒, 可以轻易调节到至小1秒, 方便老年人、伤残人士出入。
- 关门力量调节功能:可根据不同大小, 不同重量的门来选择不同的闭门力度。力量可调节型闭门器, 可调节弹簧最轻关闭力, 从而减少开门阻力, 使老年人、伤残人士方便出入。

- 90°Hod-open function :door can keep standstill when door is open at 90°.
- Closing & latching continous adjustment: the fastest closing in 3 seconds from 90°, slowly door closing adove 40 seconds.
- Buffer function:door closer will create resistance to avoid too much forces , when open the doors and hit the wall by closing quickly & resisance can be adjustment.
- Deleyed closing function:between 180°-65°, present by factory is 20 seconds, which can be reduced to 1 second to facilitate the alds & disabilities.
- Function of closing forces adjustment: closing forces is decided by different size & weight of door, force adjustable dooe close can adjust it to min. forces to reduce resistance and facilitate the olds & disabilities .

各种功能发挥作用的角度范围



锁门速度调节 (Latch speed) 关门速度调节 (Closing speed)



速度调节 (Adjust speed)
顺时针为增大、逆时针为减小



ZC 34

闭门器 /Door Closing



通过CE认证:

4	8	5	1	1	4
		2			

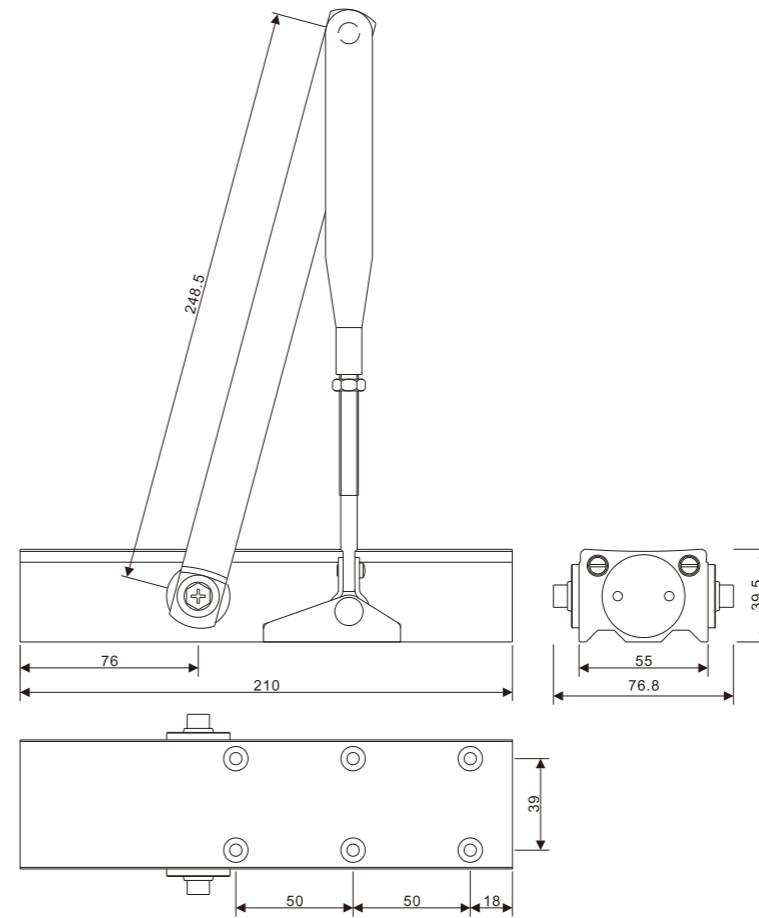
证书编号: 0359-CPR-00327



标准配置表 Standard configuration

<input type="checkbox"/>	表面处理: 静电烤漆 Finish: Electrostatic paint
<input type="checkbox"/>	主要材质: 铝合金 Materials: Aluminum alloy
	适用门宽/门重: 欧盟标准 EN2-EN5 Applied gate width/gate weight: EN2-EN5
	最大门宽: ≤1250mm Max door width: ≤1250mm
	最大门重: ≤100kg Max door weight: ≤100kg
	尺寸: L210XW55XH39.5mm Size: L210XW55XH39.5mm
	适用范围: 塑钢门、木门、铝门、铁门 Application range: Plastic-steel door, wood door, aluminum door, iron door
	最大开门角度: 180° Max. opening angle: 180°
	关门速度调节范围: 180°-10° Closing speed adjustment range: 180°-10°
	闭门速度调节范围: 10°-0° Door closer speed adjustment range: 10°-0°
	使用寿命: 500,000次 Passed durability test: 500,000 cycles

外形尺寸/Overall dimension



ZC 34

闭门器 /Door Closing

● 支臂选择 /Supporting arm selection

支臂

F 型定位支臂 029 支臂
L 型定位支臂 Y 型不定位支臂
D 型定位支臂

● 特点

高品质进口密封圈, 防止漏油。
强力弹簧, 闭门力度大。
优质铝合金机体, 两层光亮层保护。
全液压控制可调节阀关门速度。
两个调速阀独立控制两段闭门速度。
Ce认证的闭门器。可用于火灾和防烟门。

● Feature

-High quality imported gaskets to prevent oil leakage.
-Strong spring to guarantee powerful closing.
-Fine quality aluminium alloy body.
Provided with 2 coatings for protection.
-Full hydraulic control of closing speeds by the help of adjustable valves.
-2 speed controls: closing speed and latching speed.
-CE certified Door Closer. Can be used on fire and smoke proof doors.

ZC 61

闭门器 /Door Closing



通过CE认证:

4	8	3	1	1	3
---	---	---	---	---	---

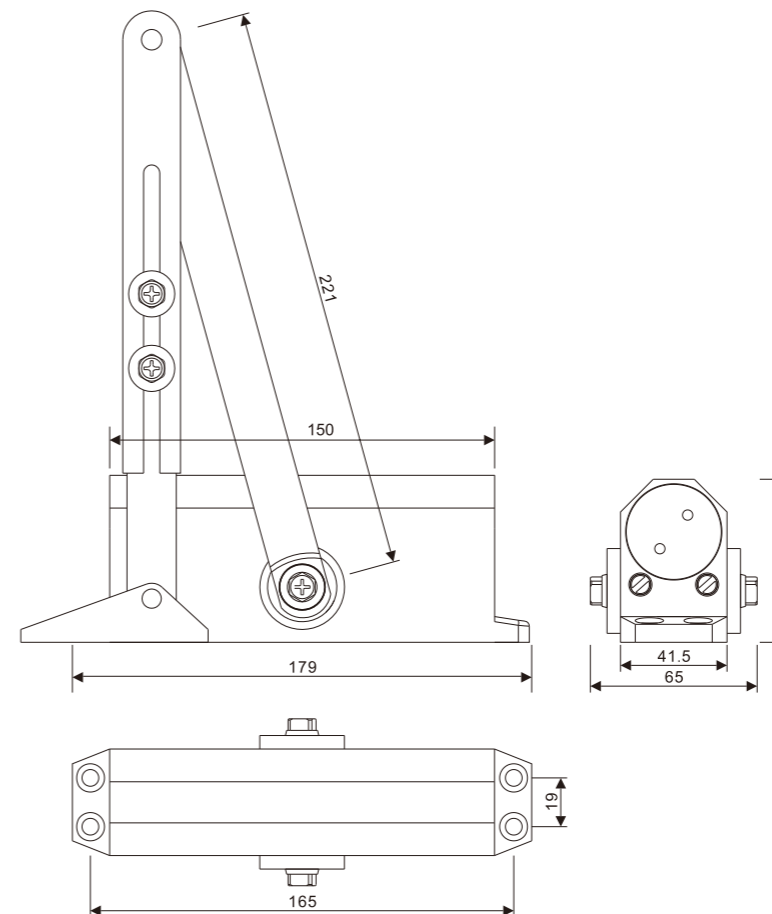
证书编号: 0359-CPR-0087



标准配置表 Standard configuration

<input type="checkbox"/>	表面处理: 静电烤漆 Finish: Electrostatic paint
<input type="checkbox"/>	主要材质: 铝合金 Materials: Aluminum alloy
	适用门宽/门重: 欧盟标准 EN2/EN3 Applied gate width/gate weight: EN2/EN3
	最大门宽: ≤950mm Max door width: ≤950mm
	最大门重: ≤60kg Max door weight: ≤60kg
	尺寸: L179XW52XH63.5mm Size: L179XW52XH63.5mm
	适用范围: 塑钢门、木门、铝门、铁门 Application range: Plastic-steel door, wood door, aluminum door, iron door
	最大开门角度: 180° Max. opening angle: 180°
	关门速度调节范围: 180°-15° Closing speed adjustment range: 180°-15°
	闭门速度调节范围: 15°-0° Door closer speed adjustment range: 15°-0°
	使用寿命: 500,000次 Passed durability test: 500,000 cycles

外形尺寸/Overall dimension



ZC 61

闭门器 /Door Closing

● 支臂选择 /Supporting arm selection

支臂

F 型定位支臂 029 支臂
L 型定位支臂 Y 型不定位支臂
D 型定位支臂 E 型支臂

● 特点

高品质进口密封圈, 防止漏油。
强力弹簧, 闭门力度大。
优质铝合金机体, 两层光亮层保护。
可侧摆摇臂, 方便安装。
全液压控制可调节阀关门速度。
两个调速阀独立控制两段闭门速度。
Ce认证的闭门器。可用于火灾和防烟门。

● Feature

-High quality imported gaskets to prevent oil leakage.
-Strong spring to guarantee powerful closing.
-Fine quality aluminium alloy body.
Provided with 2 coatings for protection.
-Side swing rocker for easy erection.
-Full hydraulic control of closing speeds by the help of adjustable valves.
-2 speed controls: closing speed and latching speed.
-CE certified Door Closer. Can be used on fire and smoke proof doors.

ZC 62B2

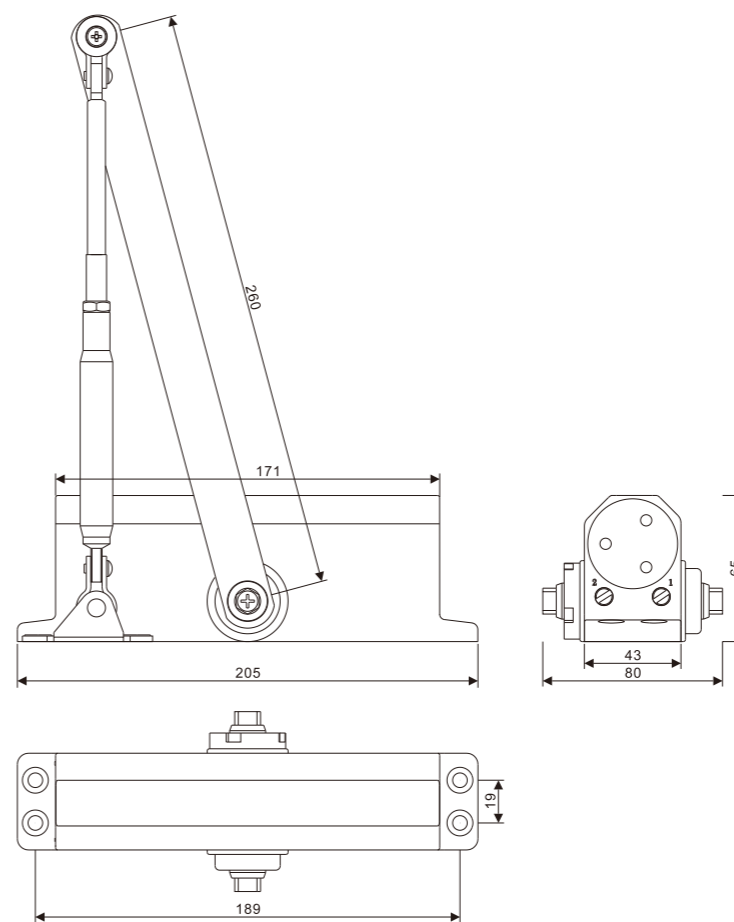
闭门器 /Door Closing



标准配置表 Standard configuration

	表面处理: 静电烤漆 Finish: Electrostatic paint
	主要材质: 铝合金 Materials: Aluminum alloy
	适用门宽/门重: 欧盟标准 EN3/EN4 Applied gate width/gate weight: EN3/EN4
	最大门宽: ≤1100mm Max door width: ≤1100mm
	最大门重: ≤80kg Max door weight: ≤80kg
	尺寸: L205XW54XH65mm Size: L205XW54XH65mm
	适用范围: 塑钢门、木门、铝门、铁门 Application range: Plastic-steel door, wood door, aluminum door, iron door
	最大开门角度: 180° Max. opening angle: 180°
	关门速度调节范围: 180°-15° Closing speed adjustment range: 180°-15°
	闭门速度调节范围: 15°-0° Door closer speed adjustment range: 15°-0°
	使用寿命: 500,000次 Passed durability test: 500,000 cycles

外形尺寸/Overall dimension



ZC 62B2

闭门器 /Door Closing

● 支臂选择 /Supporting arm selection

支臂

F 型定位支臂	029 支臂
L 型定位支臂	Y 型不定位支臂
D 型定位支臂	

● 特点

高品质进口密封圈, 防止漏油。
强力弹簧, 闭门力度大。
优质铝合金机体, 两层光亮层保护。
可偏摆摇臂, 方便安装。
全液压控制可调节阀关门速度。
两个调速阀独立控制两段闭门速度。

● Feature

- High quality imported gaskets to prevent oil leakage.
- Strong spring to guarantee powerful closing.
- Fine quality aluminium alloy body.
- Provided with 2 coatings for protection.
- Side swing rocker for easy erection.
- Full hydraulic control of closing speeds by the help of adjustable valves.
- 2 speed controls: closing speed and latching speed.

ZC 63B

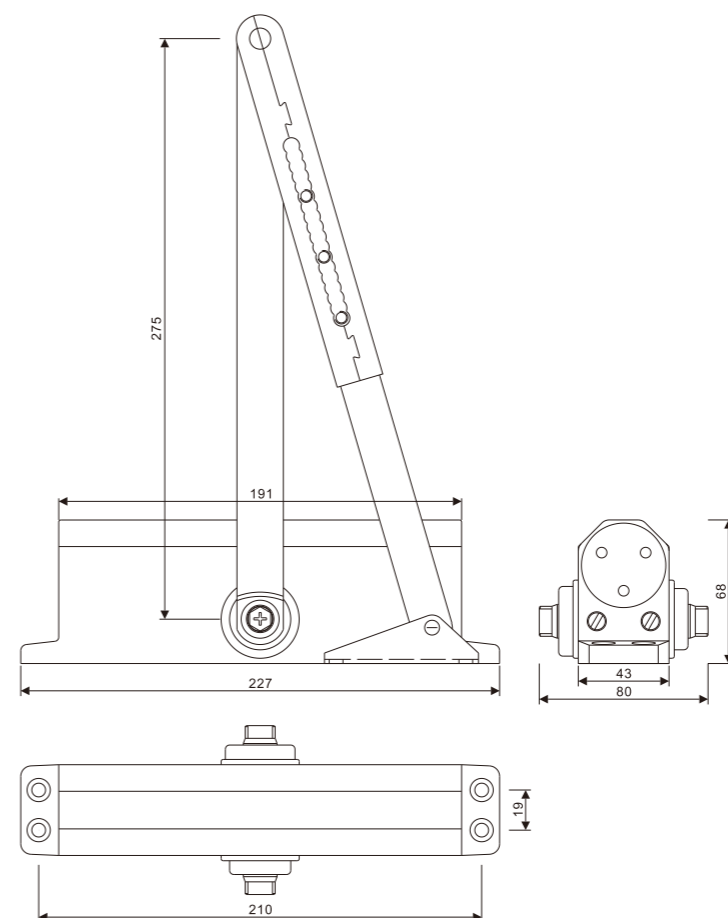
闭门器 /Door Closing



标准配置表 Standard configuration

	表面处理: 静电烤漆 Finish: Electrostatic paint
	主要材质: 铝合金 Materials: Aluminum alloy
	适用门宽/门重: 欧盟标准 EN4/EN5 Applied gate width/gate weight: EN4/EN5
	最大门宽: ≤1250mm Max door width: ≤1250mm
	最大门重: ≤100kg Max door weight: ≤100kg
	尺寸: L227XW54XH68mm Size: L227XW54XH68mm
	适用范围: 塑钢门、木门、铝门、铁门 Application range: Plastic-steel door, wood door, aluminum door, iron door
	最大开门角度: 180° Max. opening angle: 180°
	关门速度调节范围: 180°-10° Closing speed adjustment range: 180°-10°
	闭门速度调节范围: 10°-0° Door closer speed adjustment range: 10°-0°
	使用寿命: 500,000次 Passed durability test: 500,000 cycles

外形尺寸/Overall dimension



ZC 63B

闭门器 /Door Closing

● 支臂选择 /Supporting arm selection

支臂

F 型定位支臂	029 支臂
L 型定位支臂	Y 型不定位支臂
D 型定位支臂	E 型支臂

● 特点

高品质进口密封圈, 防止漏油。
强力弹簧, 闭门力度大。
优质铝合金机体, 两层光亮层保护。
全液压控制可调节阀关门速度。
两个调速阀独立控制两段闭门速度。

● Feature

- High quality imported gaskets to prevent oil leakage.
- Strong spring to guarantee powerful closing.
- Fine quality aluminium alloy body.
- Provided with 2 coatings for protection.
- Full hydraulic control of closing speeds by the help of adjustable valves.
- 2 speed controls: closing speed and latching speed.

ZC 64B

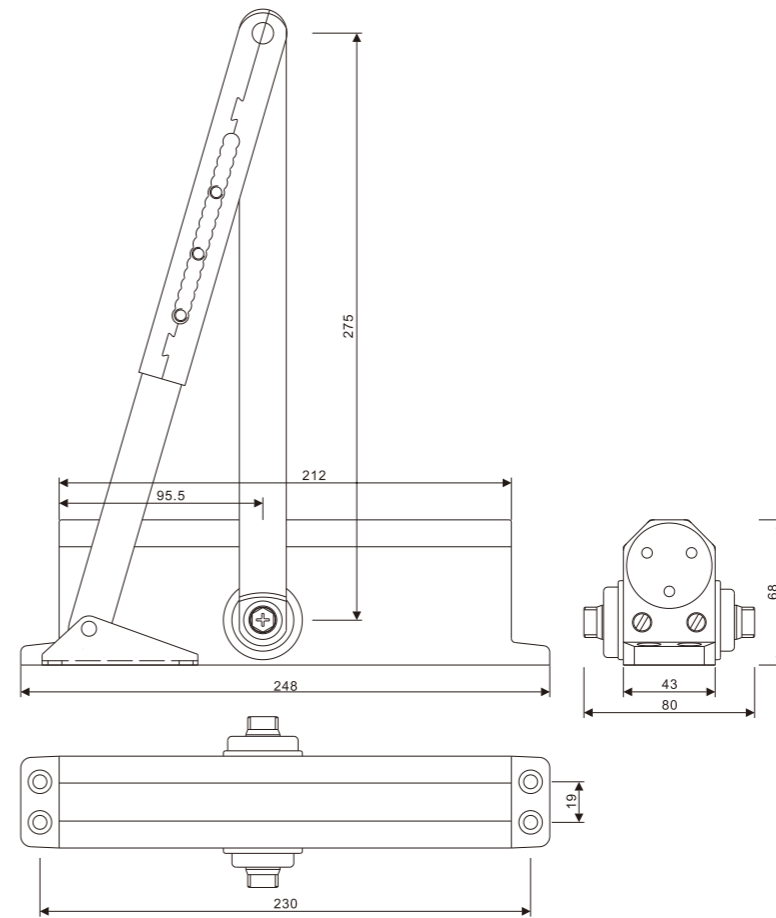
闭门器 /Door Closing



标准配置表 Standard configuration

	表面处理: 静电烤漆 Finish: Electrostatic paint
	主要材质: 铝合金 Materials: Aluminum alloy
	适用门宽/门重: 欧盟标准 EN5/EN6 Applied gate width/gate weight: EN5/EN6
	最大门宽: ≤1400mm Max door width: ≤1400mm
	最大门重: ≤120kg Max door weight: ≤120kg
	尺寸: L248XW54XH65.7mm Size: L248XW54XH65.7mm
	适用范围: 塑钢门、木门、铝门、铁门 Application range: Plastic-steel door, wood door, aluminum door, iron door
	最大开门角度: 180° Max. opening angle: 180°
	关门速度调节范围: 180°-10° Closing speed adjustment range: 180°-10°
	闭门速度调节范围: 10°-0° Door closer speed adjustment range: 10°-0°
	使用寿命: 500,000次 Passed durability test: 500,000 cycles

外形尺寸/Overall dimension



ZC 64B

闭门器 /Door Closing

● 支臂选择 /Supporting arm selection

支臂

F 型定位支臂	029 支臂
L 型定位支臂	Y 型不定位支臂
D 型定位支臂	

● 特点

高品质进口密封圈, 防止漏油。
强力弹簧, 闭门力度大。
优质铝合金机体, 两层光亮层保护。
全液压控制可调阀门关门速度。
两个调速阀独立控制两段闭门速度。

● Feature

-High quality imported gaskets to prevent oil leakage.
-Strong spring to guarantee powerful closing.
-Fine quality aluminium alloy body.
Provided with 2 coatings for protection.
-Full hydraulic control of closing speeds by the help of adjustable valves.
-2 speed controls: closing speed and latching speed.

ZC 64BV

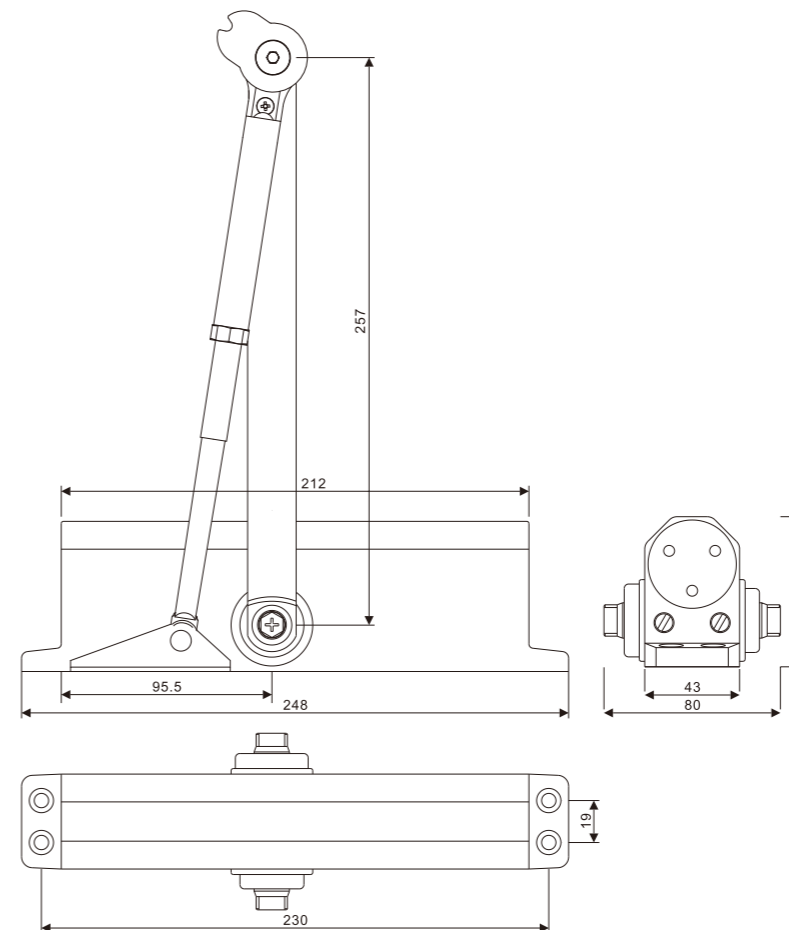
闭门器 /Door Closing



标准配置表 Standard configuration

	表面处理: 静电烤漆 Finish: Electrostatic paint
	主要材质: 铝合金 Materials: Aluminum alloy
	适用门宽/门重: 欧盟标准 EN3-EN6 Applied gate width/gate weight: EN3-EN6
	最大门宽: ≤1400mm Max door width: ≤1400mm
	最大门重: ≤120kg Max door weight: ≤120kg
	尺寸: L248XW54XH65.7mm Size: L248XW54XH65.7mm
	适用范围: 塑钢门、木门、铝门、铁门 Application range: Plastic-steel door, wood door, aluminum door, iron door
	最大开门角度: 180° Max. opening angle: 180°
	关门速度调节范围: 180°-10° Closing speed adjustment range: 180°-10°
	闭门速度调节范围: 10°-0° Door closer speed adjustment range: 10°-0°
	使用寿命: 500,000次 Passed durability test: 500,000 cycles

外形尺寸/Overall dimension



ZC 64BV

闭门器 /Door Closing

● 支臂选择 /Supporting arm selection

支臂

F 型定位支臂	029 支臂
L 型定位支臂	Y 型不定位支臂
D 型定位支臂	E 型支臂

● 特点

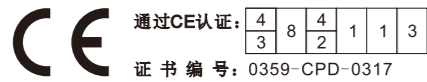
高品质进口密封圈, 防止漏油。
强力弹簧, 闭门力度大。
优质铝合金机体, 两层光亮层保护。
全液压控制可调阀门关门速度。
两个调速阀独立控制两段闭门速度。

● Feature

-High quality imported gaskets to prevent oil leakage.
-Strong spring to guarantee powerful closing.
-Fine quality aluminium alloy body.
Provided with 2 coatings for protection.
-Full hydraulic control of closing speeds by the help of adjustable valves.
-2 speed controls: closing speed and latching speed.

ZC 68

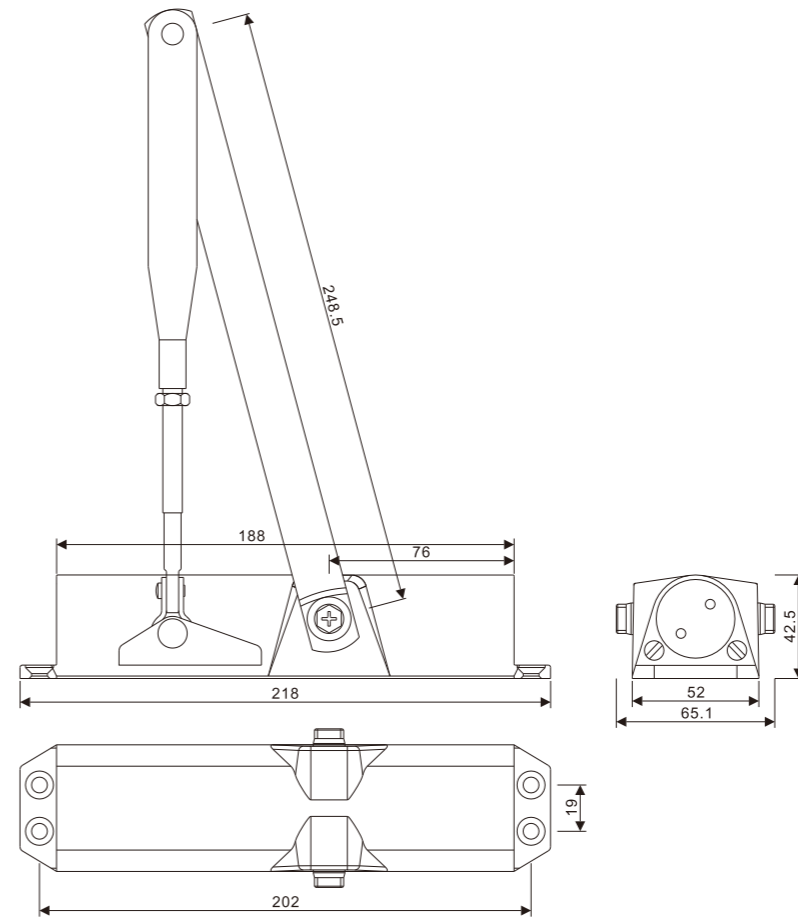
闭门器 /Door Closing



标准配置表 Standard configuration

	表面处理: 静电烤漆 Finish: Electrostatic paint
	主要材质: 铝合金 Materials: Aluminum alloy
	适用门宽/门重: 欧盟标准 EN2-EN4 Applied gate width/gate weight: EN2-EN4
	最大门宽: ≤1100mm Max door width: ≤1100mm
	最大门重: ≤80kg Max door weight: ≤80kg
	尺寸: L218XW52XH42.5mm Size: L218XW52XH42.5mm
	适用范围: 塑钢门、木门、铝门、铁门 Application range: Plastic-steel door, wood door, aluminum door, iron door
	最大开门角度: 180° Max. opening angle: 180°
	关门速度调节范围: 180°-10° Closing speed adjustment range: 180°-10°
	闭门速度调节范围: 10°-0° Door closer speed adjustment range: 10°-0°
	使用寿命: 500,000次 Passed durability test: 500,000 cycles

外形尺寸/Overall dimension



ZC 68

闭门器 /Door Closing

● 支臂选择 /Supporting arm selection

支臂

- F 型定位支臂 029 支臂
- L 型定位支臂 Y 型不定位支臂
- D 型定位支臂

● 特点

- 高品质进口密封圈, 防止漏油。
- 强力弹簧, 闭门力度大。
- 优质铝合金机体, 两层光亮层保护。
- 可偏摆摇臂, 方便安装。
- 全液压控制可调节阀关门速度。
- 两个调速阀独立控制两段闭门速度。

● Feature

- High quality imported gaskets to prevent oil leakage.
- Strong spring to guarantee powerful closing.
- Fine quality aluminium alloy body.
- Provided with 2 coatings for protection.
- Side swing rocker for easy erection.
- Full hydraulic control of closing speeds by the help of adjustable valves.
- 2 speed controls: closing speed and latching speed.

ZC 10

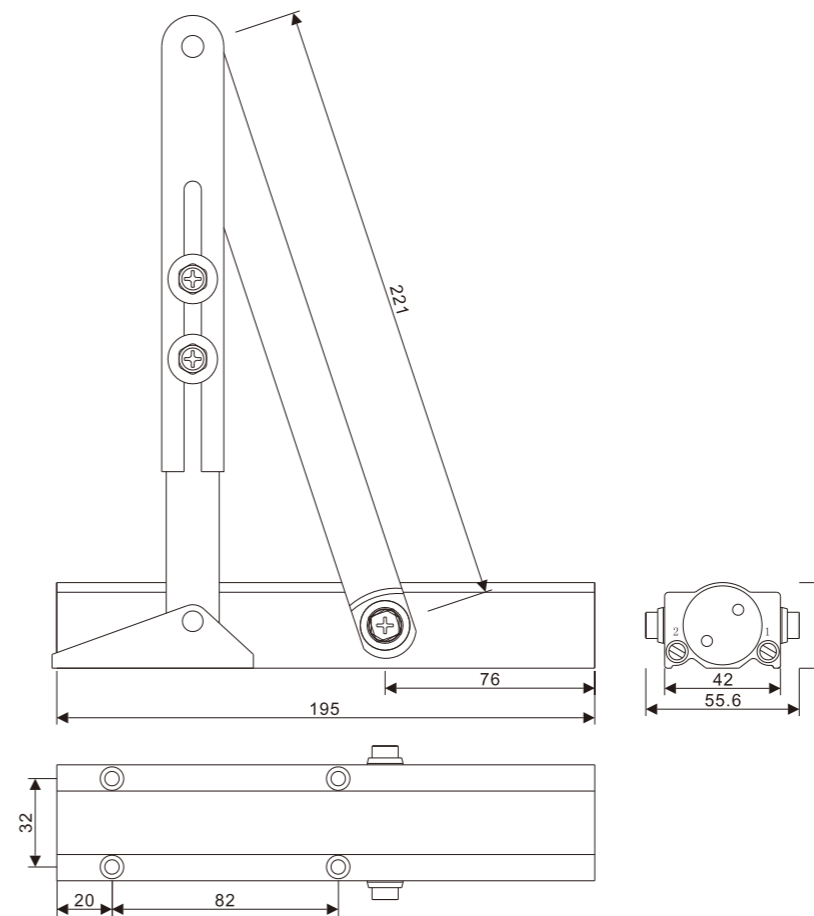
闭门器 /Door Closing



标准配置表 Standard configuration

	表面处理: 静电烤漆 Finish: Electrostatic paint
	主要材质: 铝合金 Materials: Aluminum alloy
	适用门宽/门重: 欧盟标准 EN2 Applied gate width/gate weight: EN2
	最大门宽: ≤850mm Max door width: ≤850mm
	最大门重: ≤40kg Max door weight: ≤40kg
	尺寸: L195XW42XH31mm Size: L195XW42XH31mm
	适用范围: 塑钢门、木门、铝门、铁门 Application range: Plastic-steel door, wood door, aluminum door, iron door
	最大开门角度: 180° Max. opening angle: 180°
	关门速度调节范围: 180°-10° Closing speed adjustment range: 180°-10°
	闭门速度调节范围: 10°-0° Door closer speed adjustment range: 10°-0°
	使用寿命: 500,000次 Passed durability test: 500,000 cycles

外形尺寸/Overall dimension



ZC 10

闭门器 /Door Closing

● 支臂选择 /Supporting arm selection

支臂

- F 型定位支臂 029 支臂
- L 型定位支臂 Y 型不定位支臂
- D 型定位支臂 E 型支臂

● 特点

- 高品质进口密封圈, 防止漏油。
- 强力弹簧, 闭门力度大。
- 优质铝合金机体, 两层光亮层保护。
- 全液压控制可调节阀关门速度。
- 两个调速阀独立控制两段闭门速度。

● Feature

- High quality imported gaskets to prevent oil leakage.
- Strong spring to guarantee powerful closing.
- Fine quality aluminium alloy body.
- Provided with 2 coatings for protection.
- Full hydraulic control of closing speeds by the help of adjustable valves.
- 2 speed controls: closing speed and latching speed.

ZC 20

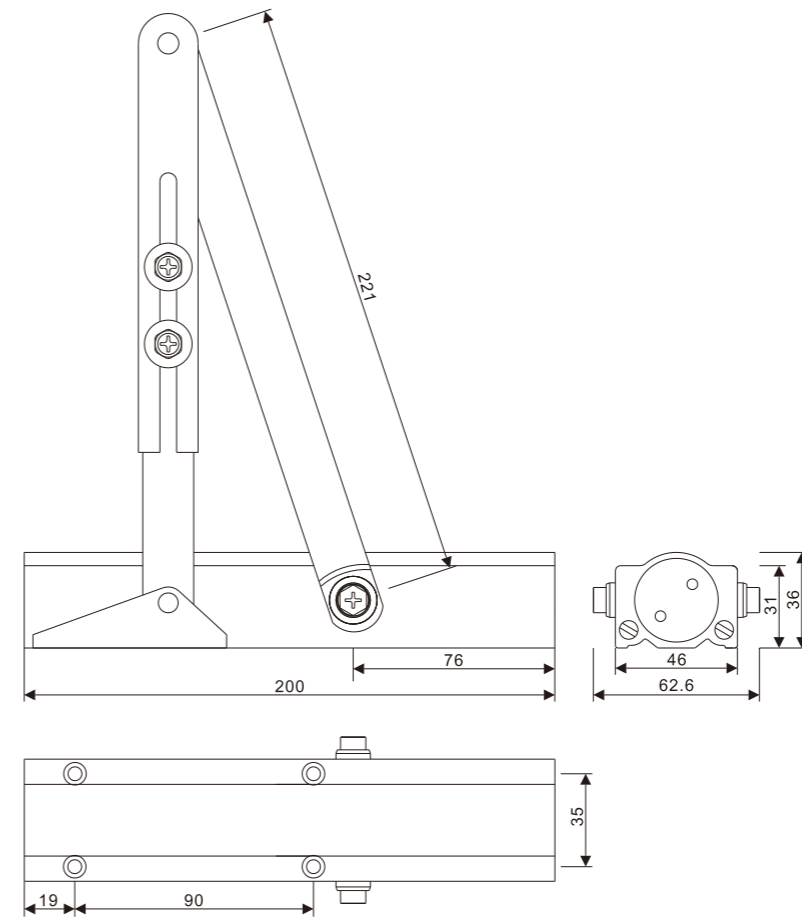
闭门器 /Door Closing



标准配置表 Standard configuration

	表面处理: 静电烤漆 Finish: Electrostatic paint
	主要材质: 铝合金 Materials: Aluminum alloy
	适用门宽/门重: 欧盟标准 EN3 Applied gate width/gate weight: EN3
	最大门宽: ≤950mm Max door width: ≤950mm
	最大门重: ≤60kg Max door weight: ≤60kg
	尺寸: L200XW46XH36mm Size: L200XW46XH36mm
	适用范围: 塑钢门、木门、铝门、铁门 Application range: Plastic-steel door, wood door, aluminum door, iron door
	最大开门角度: 180° Max. opening angle: 180°
	关门速度调节范围: 180°-10° Closing speed adjustment range: 180°-10°
	闭门速度调节范围: 10°-0° Door closer speed adjustment range: 10°-0°
	使用寿命: 500,000次 Passed durability test: 500,000 cycles

外形尺寸/Overall dimension



ZC 20

闭门器 /Door Closing

● 支臂选择 /Supporting arm selection

支臂

F 型定位支臂	029 支臂
L 型定位支臂	Y 型不定位支臂
D 型定位支臂	

● 特点

高品质进口密封圈, 防止漏油。
强力弹簧, 闭门力度大。
优质铝合金机体, 两层光亮层保护。
全液压控制可调节阀关门速度。
两个调速阀独立控制两段闭门速度。

● Feature

-High quality imported gaskets to prevent oil leakage.
-Strong spring to guarantee powerful closing.
-Fine quality aluminium alloy body.
Provided with 2 coatings for protection.
-Full hydraulic control of closing speeds by the help of adjustable valves.
-2 speed controls: closing speed and latching speed.

ZC 30

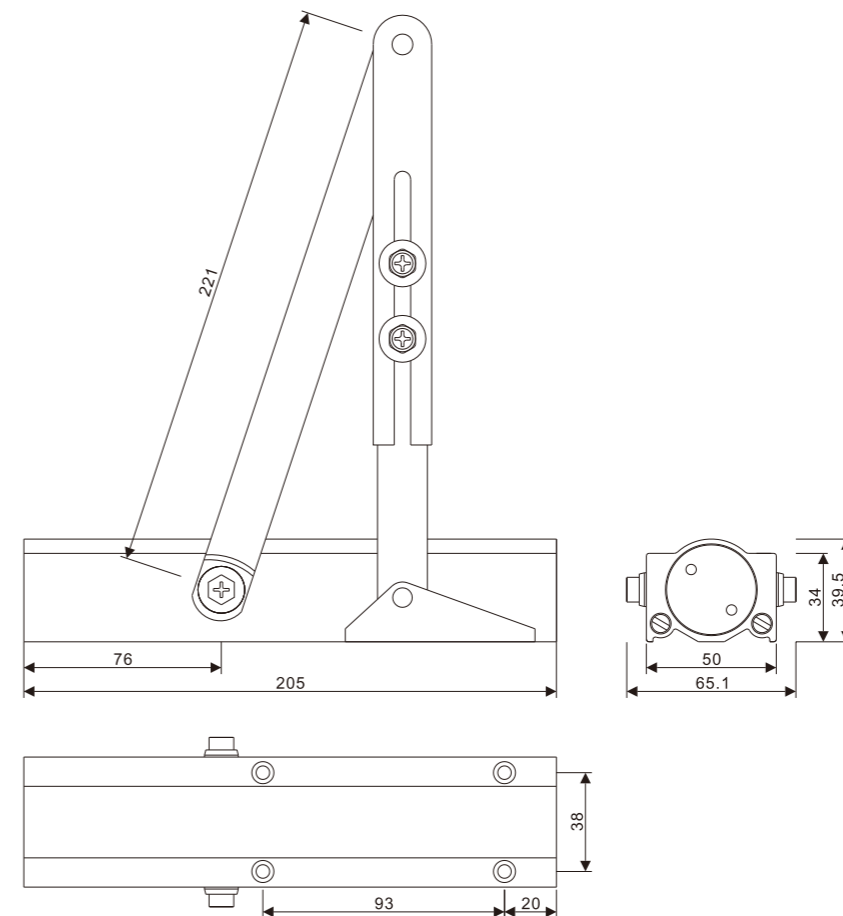
闭门器 /Door Closing



标准配置表 Standard configuration

	表面处理: 静电烤漆 Finish: Electrostatic paint
	主要材质: 铝合金 Materials: Aluminum alloy
	适用门宽/门重: 欧盟标准 EN4 Applied gate width/gate weight: EN4
	最大门宽: ≤1100mm Max door width: ≤1100mm
	最大门重: ≤80kg Max door weight: ≤80kg
	尺寸: L205XW50XH39.5mm Size: L205XW50XH39.5mm
	适用范围: 塑钢门、木门、铝门、铁门 Application range: Plastic-steel door, wood door, aluminum door, iron door
	最大开门角度: 180° Max. opening angle: 180°
	关门速度调节范围: 180°-10° Closing speed adjustment range: 180°-10°
	闭门速度调节范围: 10°-0° Door closer speed adjustment range: 10°-0°
	使用寿命: 500,000次 Passed durability test: 500,000 cycles

外形尺寸/Overall dimension



ZC 30

闭门器 /Door Closing

● 支臂选择 /Supporting arm selection

支臂

F 型定位支臂	029 支臂
L 型定位支臂	Y 型不定位支臂
D 型定位支臂	E 型支臂

● 特点

高品质进口密封圈, 防止漏油。
强力弹簧, 闭门力度大。
优质铝合金机体, 两层光亮层保护。
全液压控制可调节阀关门速度。
两个调速阀独立控制两段闭门速度。

● Feature

-High quality imported gaskets to prevent oil leakage.
-Strong spring to guarantee powerful closing.
-Fine quality aluminium alloy body.
Provided with 2 coatings for protection.
-Full hydraulic control of closing speeds by the help of adjustable valves.
-2 speed controls: closing speed and latching speed.

ZCG 20

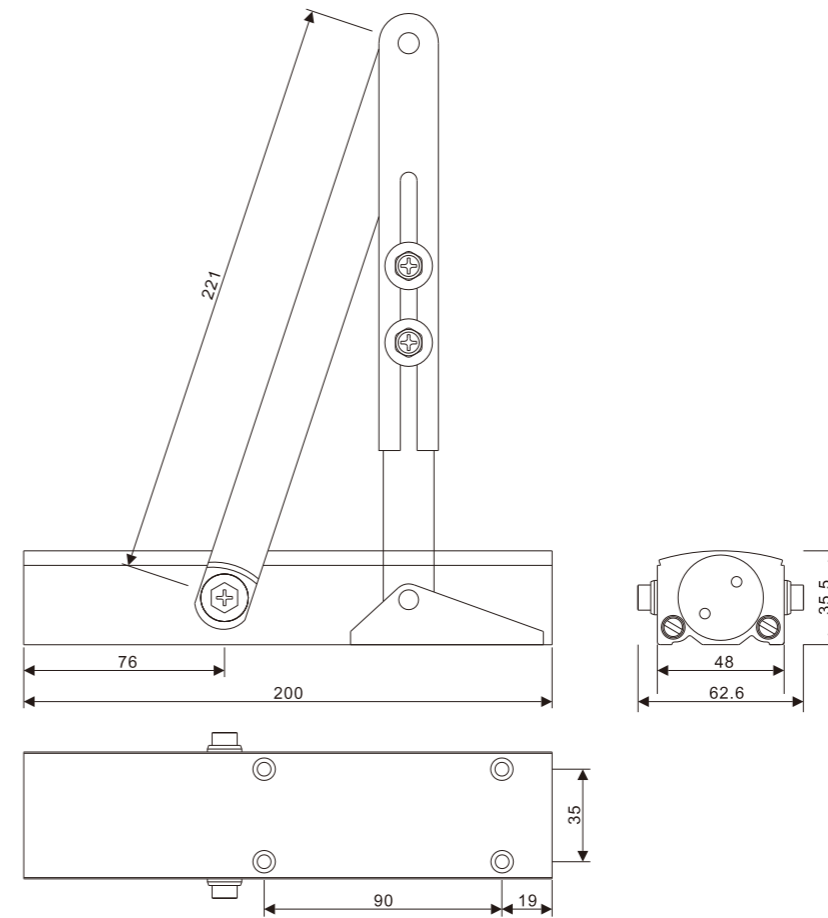
闭门器 /Door Closing



标准配置表 Standard configuration

	表面处理: 静电烤漆 Finish: Electrostatic paint
	主要材质: 铝合金 Materials: Aluminum alloy
	适用门宽/门重: 欧盟标准 EN3 Applied gate width/gate weight: EN3
	最大门宽: ≤950mm Max door width: ≤950mm
	最大门重: ≤60kg Max door weight: ≤60kg
	尺寸: L200XW45XH36mm Size: L200XW45XH36mm
	适用范围: 塑钢门、木门、铝门、铁门 Application range: Plastic-steel door, wood door, aluminum door, iron door
	最大开门角度: 180° Max. opening angle: 180°
	关门速度调节范围: 180°-10° Closing speed adjustment range: 180°-10°
	闭门速度调节范围: 10°-0° Door closer speed adjustment range: 10°-0°
	使用寿命: 500,000次 Passed durability test: 500,000 cycles

外形尺寸/Overall dimension



ZCG 20

闭门器 /Door Closing

● 支臂选择 /Supporting arm selection

支臂

- F 型定位支臂 029 支臂
- L 型定位支臂 Y 型不定位支臂
- D 型定位支臂

● 特点

- 高品质进口密封圈, 防止漏油。
- 强力弹簧, 闭门力度大。
- 优质铝合金机体, 两层光亮层保护。
- 全液压控制可调节阀关门速度。
- 两个调速阀独立控制两段闭门速度。

● Feature

- High quality imported gaskets to prevent oil leakage.
- Strong spring to guarantee powerful closing.
- Fine quality aluminium alloy body.
- Provided with 2 coatings for protection.
- Full hydraulic control of closing speeds by the help of adjustable valves.
- 2 speed controls: closing speed and latching speed.

ZCG 30

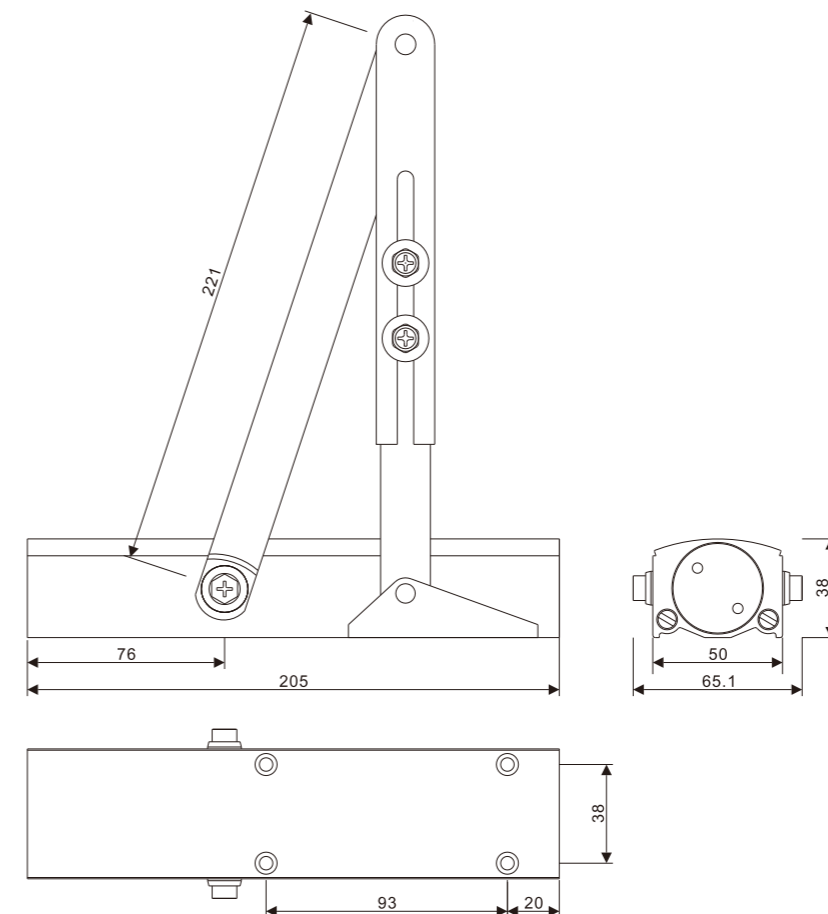
闭门器 /Door Closing



标准配置表 Standard configuration

	表面处理: 静电烤漆 Finish: Electrostatic paint
	主要材质: 铝合金 Materials: Aluminum alloy
	适用门宽/门重: 欧盟标准 EN4 Applied gate width/gate weight: EN4
	最大门宽: ≤1100mm Max door width: ≤1100mm
	最大门重: ≤80kg Max door weight: ≤80kg
	尺寸: L205XW50XH40mm Size: L205XW50XH40mm
	适用范围: 塑钢门、木门、铝门、铁门 Application range: Plastic-steel door, wood door, aluminum door, iron door
	最大开门角度: 180° Max. opening angle: 180°
	关门速度调节范围: 180°-10° Closing speed adjustment range: 180°-10°
	闭门速度调节范围: 10°-0° Door closer speed adjustment range: 10°-0°
	使用寿命: 500,000次 Passed durability test: 500,000 cycles

外形尺寸/Overall dimension



ZCG 30

闭门器 /Door Closing

● 支臂选择 /Supporting arm selection

支臂

- F 型定位支臂 029 支臂
- L 型定位支臂 Y 型不定位支臂
- D 型定位支臂 E 型支臂

● 特点

- 高品质进口密封圈, 防止漏油。
- 强力弹簧, 闭门力度大。
- 优质铝合金机体, 两层光亮层保护。
- 全液压控制可调节阀关门速度。
- 两个调速阀独立控制两段闭门速度。

● Feature

- High quality imported gaskets to prevent oil leakage.
- Strong spring to guarantee powerful closing.
- Fine quality aluminium alloy body.
- Provided with 2 coatings for protection.
- Full hydraulic control of closing speeds by the help of adjustable valves.
- 2 speed controls: closing speed and latching speed.

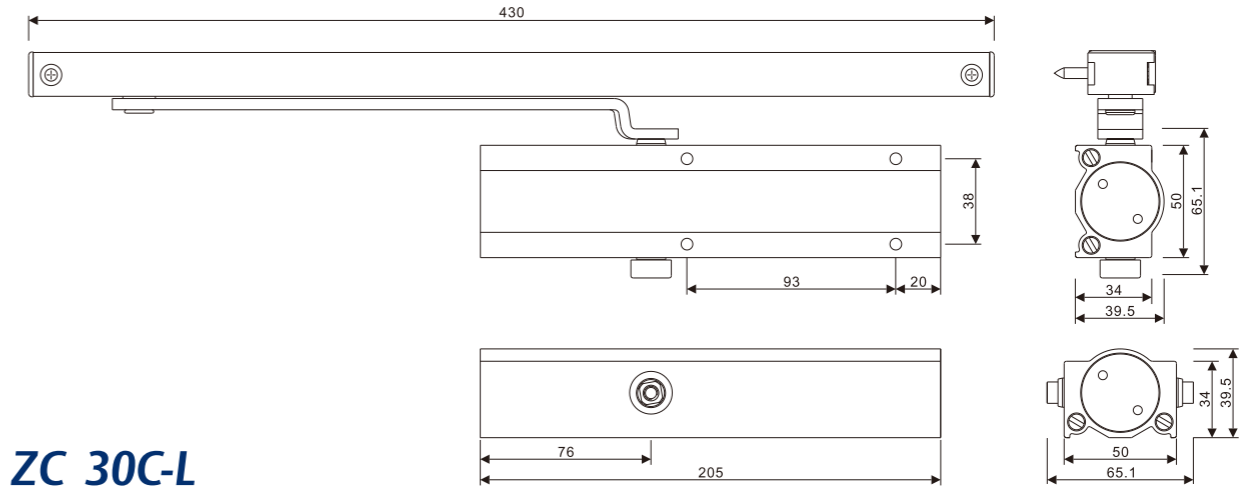
ZC 30C-L

闭门器 /Door Closing



标准配置表 Standard configuration

	表面处理: 静电烤漆 Finish: Electrostatic paint
	主要材质: 铝合金 Materials: Aluminum alloy
	适用门宽/门重: 欧盟标准 EN3 Applied gate width/gate weight: EN3
	最大门宽: ≤950mm Max door width: ≤950mm
	最大门重: ≤60kg Max door weight: ≤60kg
	尺寸: L205XW50XH39.5mm Size: L205XW50XH39.5mm
	适用范围: 塑钢门、木门、铝门、铁门 Application range: Plastic-steel door, wood door, aluminum door, iron door
	最大开门角度: 180° Max. opening angle: 180°
	关门速度调节范围: 180°-10° Closing speed adjustment range: 180°-10°
	闭门速度调节范围: 10°-0° Door closer speed adjustment range: 10°-0°
	使用寿命: 500,000次 Passed durability test: 500,000 cycles



ZC 30C-L

闭门器 /Door Closing

● 支臂选择 /Supporting arm selection

支臂

L 型定位支臂

● 特点

高品质进口密封圈, 防止漏油。
强力弹簧, 闭门力度大。
优质铝合金机体, 两层光亮层保护。
全液压控制可调节阀关门速度。
两个调速阀独立控制两段闭门速度。

● Feature

-High quality imported gaskets to prevent oil leakage.
-Strong spring to guarantee powerful closing.
-Fine quality aluminium alloy body.
Provided with 2 coatings for protection.
-Full hydraulic control of closing speeds by the help of adjustable valves.
-2 speed controls: closing speed and latching speed.



外形尺寸/Overall dimension

ZC 22

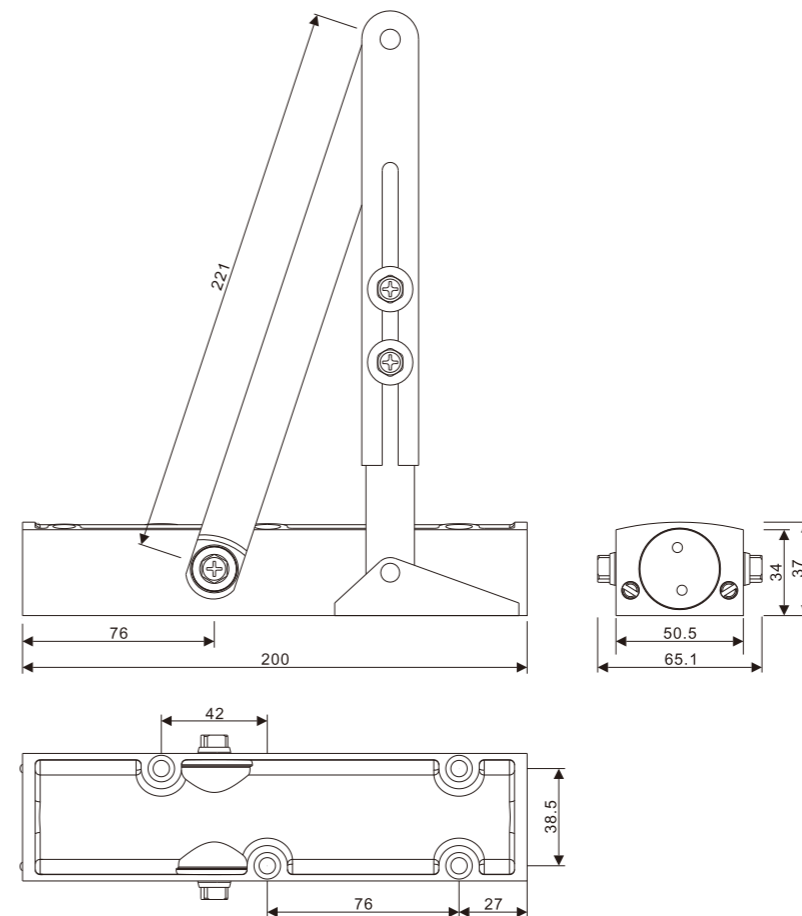
闭门器 /Door Closing



标准配置表 Standard configuration

	表面处理: 静电烤漆 Finish: Electrostatic paint
	主要材质: 铝合金 Materials: Aluminum alloy
	适用门宽/门重: 欧盟标准 EN3 Applied gate width/gate weight: EN3
	最大门宽: ≤950mm Max door width: ≤950mm
	最大门重: ≤60kg Max door weight: ≤60kg
	尺寸: L200XW50.5XH37mm Size: L200XW50.5XH37mm
	适用范围: 塑钢门、木门、铝门、铁门 Application range: Plastic-steel door, wood door, aluminum door, iron door
	最大开门角度: 180° Max. opening angle: 180°
	关门速度调节范围: 180°-10° Closing speed adjustment range: 180°-10°
	闭门速度调节范围: 10°-0° Door closer speed adjustment range: 15°-0°
	使用寿命: 500,000次 Passed durability test: 500,000 cycles

外形尺寸/Overall dimension



ZC 22

闭门器 /Door Closing

● 支臂选择 /Supporting arm selection

支臂

F 型定位支臂	029 支臂
L 型定位支臂	Y 型不定位支臂
D 型定位支臂	E 型支臂

● 特点

高品质进口密封圈, 防止漏油。
强力弹簧, 闭门力度大。
优质铝合金机体, 两层光亮层保护。
全液压控制可调节阀关门速度。
两个调速阀独立控制两段闭门速度。

● Feature

-High quality imported gaskets to prevent oil leakage.
-Strong spring to guarantee powerful closing.
-Fine quality aluminium alloy body.
Provided with 2 coatings for protection.
-Full hydraulic control of closing speeds by the help of adjustable valves.
-2 speed controls: closing speed and latching speed.

ZCG 33/33V

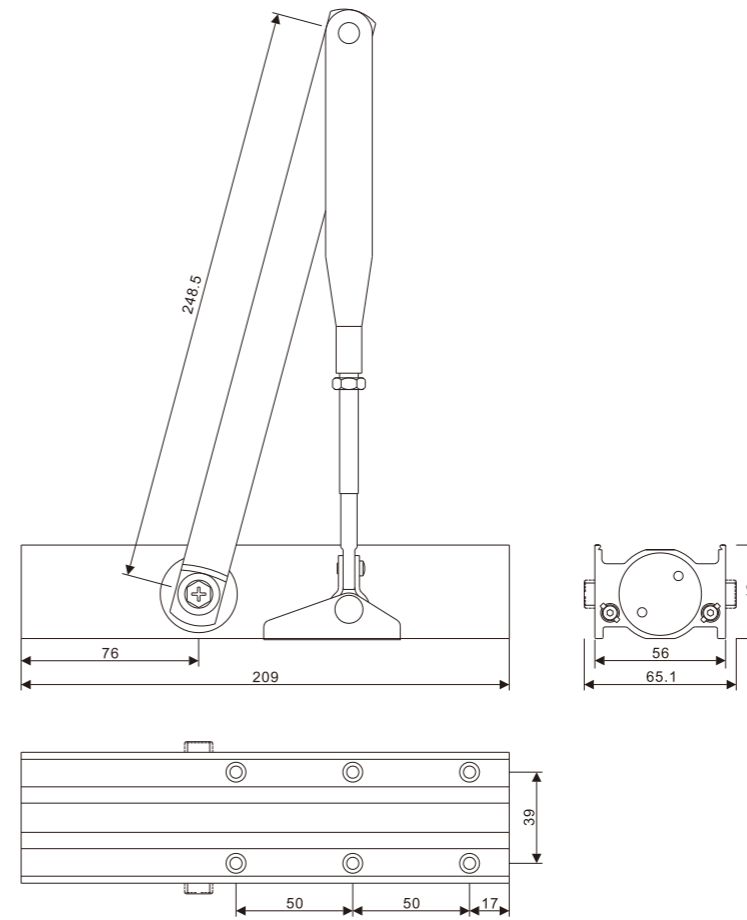
闭门器 /Door Closing



标准配置表 Standard configuration

	表面处理: 静电烤漆 Finish: Electrostatic paint
	主要材质: 铝合金 Materials: Aluminum alloy
	适用门宽/门重: 欧盟标准 EN2-EN4 Applied gate width/gate weight: EN2-EN4
	最大门宽: ≤1100mm Max door width: ≤1100mm
	最大门重: ≤80kg Max door weight: ≤80kg
	尺寸: L209XW56XH40mm Size: L209XW56XH40mm
	适用范围: 塑钢门、木门、铝门、铁门 Application range: Plastic-steel door, wood door, aluminum door, iron door
	最大开门角度: 180° Max. opening angle: 180°
	关门速度调节范围: 180°-10° Closing speed adjustment range: 180°-10°
	闭门速度调节范围: 10°-0° Door closer speed adjustment range: 10°-0°
	使用寿命: 500,000次 Passed durability test: 500,000 cycles

外形尺寸/Overall dimension



ZCG 33/33V

闭门器 /Door Closing

● 支臂选择 /Supporting arm selection

支臂

F 型定位支臂 029 支臂
L 型定位支臂 Y 型不定位支臂
D 型定位支臂

● 特点

高品质进口密封圈, 防止漏油。
强力弹簧, 闭门力度大。
优质铝合金机体, 两层光亮层保护。
可偏摆摇臂, 方便安装。
全液压控制可调节阀关门速度。
两个调速阀独立控制两段闭门速度。

● Feature

-High quality imported gaskets to prevent oil leakage.
-Strong spring to guarantee powerful closing.
-Fine quality aluminium alloy body.
Provided with 2 coatings for protection.
-Side swing rocker for easy erection.
-Full hydraulic control of closing speeds by the help of adjustable valves.
-2 speed controls: closing speed and latching speed.

ZC 50V

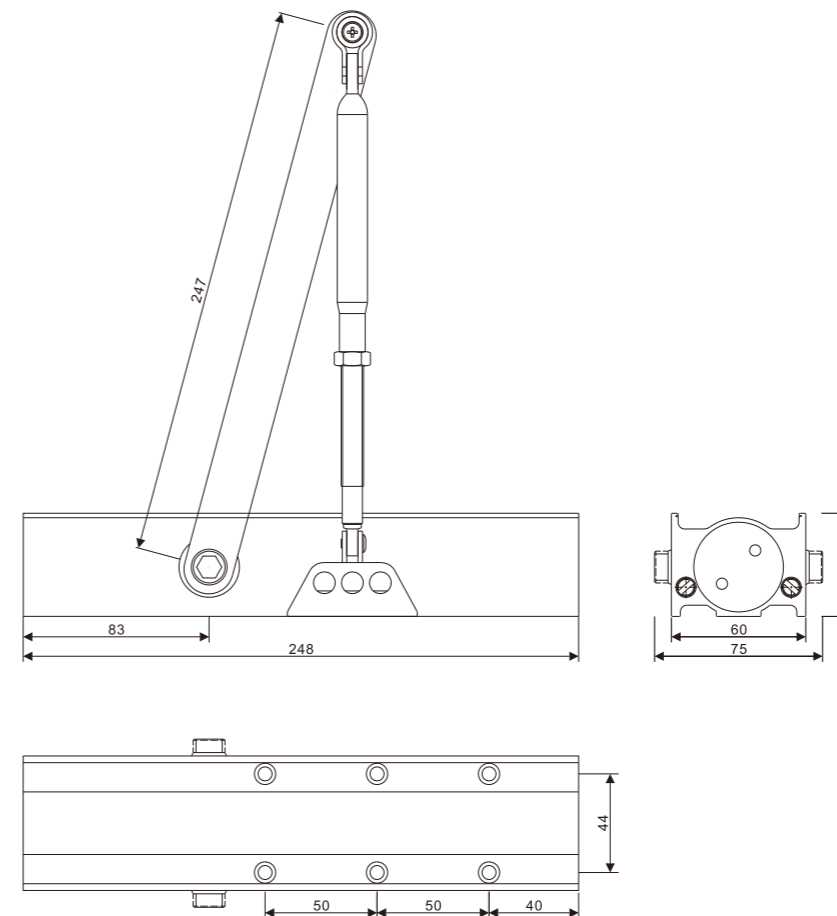
闭门器 /Door Closing



标准配置表 Standard configuration

	表面处理: 静电烤漆 Finish: Electrostatic paint
	主要材质: 铝合金 Materials: Aluminum alloy
	适用门宽/门重: 欧盟标准 EN3-EN5 Applied gate width/gate weight: EN3-EN5
	最大门宽: ≤1250mm Max door width: ≤1250mm
	最大门重: ≤100kg Max door weight: ≤100kg
	尺寸: L248XW54XH65.7mm Size: L248XW54XH65.7mm
	适用范围: 塑钢门、木门、铝门、铁门 Application range: Plastic-steel door, wood door, aluminum door, iron door
	最大开门角度: 180° Max. opening angle: 180°
	关门速度调节范围: 180°-10° Closing speed adjustment range: 180°-10°
	闭门速度调节范围: 10°-0° Door closer speed adjustment range: 10°-0°
	使用寿命: 500,000次 Passed durability test: 500,000 cycles

外形尺寸/Overall dimension



ZC 50V

闭门器 /Door Closing

● 支臂选择 /Supporting arm selection

支臂

F 型定位支臂 029 支臂
L 型定位支臂 Y 型不定位支臂
D 型定位支臂 E 型支臂

● 特点

高品质进口密封圈, 防止漏油。
强力弹簧, 闭门力度大。
优质铝合金机体, 两层光亮层保护。
可偏摆摇臂, 方便安装。
全液压控制可调节阀关门速度。
两个调速阀独立控制两段闭门速度。

● Feature

-High quality imported gaskets to prevent oil leakage.
-Strong spring to guarantee powerful closing.
-Fine quality aluminium alloy body.
Provided with 2 coatings for protection.
-Side swing rocker for easy erection.
-Full hydraulic control of closing speeds by the help of adjustable valves.
-2 speed controls: closing speed and latching speed.



Hidden

Door Closed Series

隐藏式闭门器系列

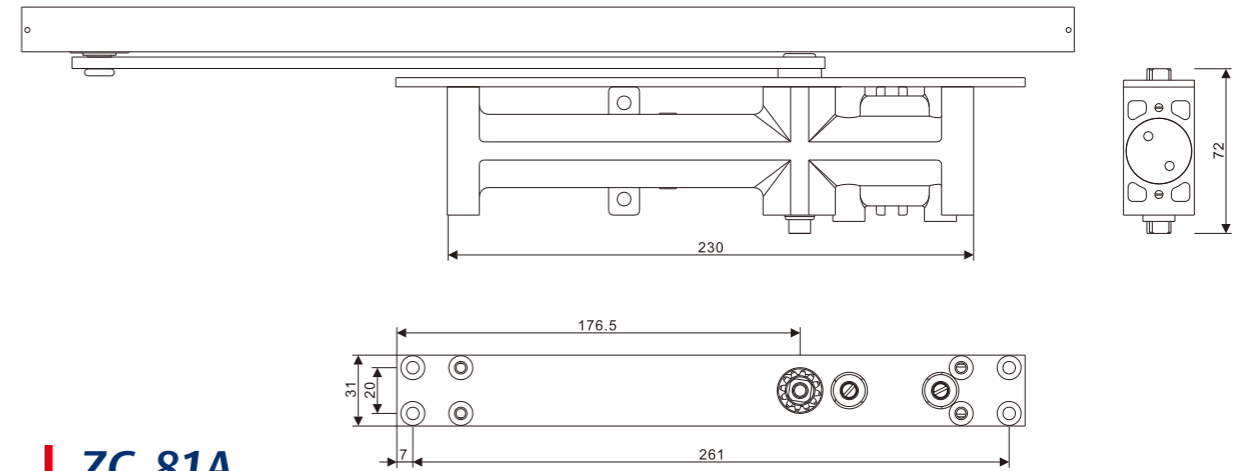
ZC 81A

闭门器 /Door Closing



标准配置表 Standard configuration

	表面处理: 静电烤漆 Finish: Electrostatic paint
	主要材质: 铝合金 Materials: Aluminum alloy
	适用门宽/门重: 欧盟标准 EN2 Applied gate width/gate weight: EN2
	最大门宽: ≤850mm Max door width: ≤850mm
	最大门重: ≤60kg Max door weight: ≤60kg
	尺寸: L230XW31XH61.5mm Size: L230XW31XH61.5mm
	适用范围: 塑钢门、木门、铝门、铁门 Application range: Plastic-steel door, wood door, aluminum door, iron door
	最大开门角度: 105° Max. opening angle: 105°
	关门速度调节范围: 105°-15° Closing speed adjustment range: 105°-15°
	闭门速度调节范围: 15°-0° Door closer speed adjustment range: 15°-0°
	使用寿命: 500,000次 Passed durability test: 500,000 cycles



ZC 81A

闭门器 /Door Closing

● 支臂选择 /Supporting arm selection

支臂

L 型定位支臂

● 特点

高品质进口密封圈，防止漏油。
强力弹簧，闭门力度大。
优质铝合金机体，两层光亮层保护。
全液压控制可调节阀关门速度。
两个调速阀独立控制两段闭门速度。

● Feature

-High quality imported gaskets to prevent oil leakage.
-Strong spring to guarantee powerful closing.
-Fine quality aluminium alloy body.
Provided with 2 coatings for protection.
-Full hydraulic control of closing speeds by the help of adjustable valves.
-2 speed controls: closing speed and latching speed.

外形尺寸/Overall dimension

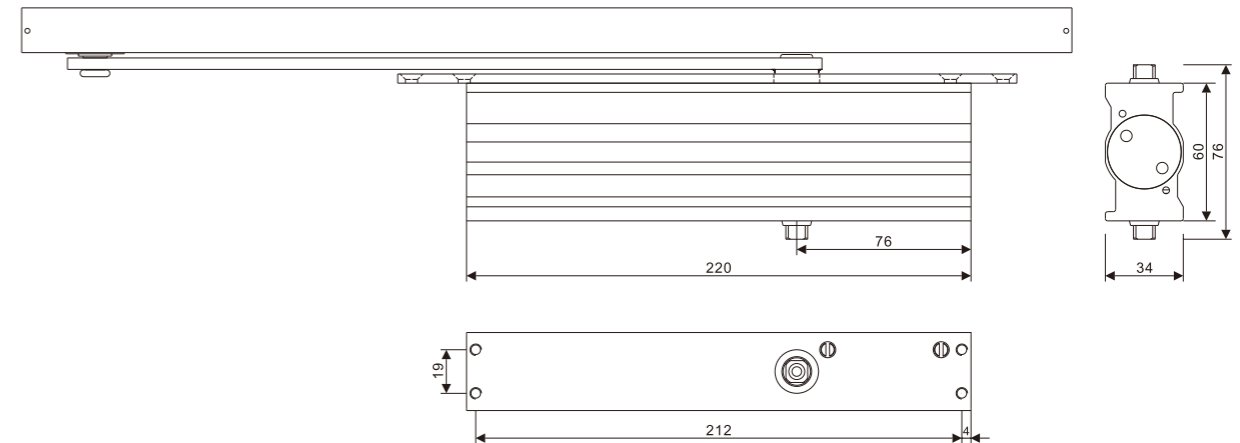
ZC 82

闭门器 /Door Closing



标准配置表 Standard configuration

	表面处理: 静电烤漆 Finish: Electrostatic paint
	主要材质: 铝合金 Materials: Aluminum alloy
	适用门宽/门重: 欧盟标准 EN2 Applied gate width/gate weight: EN2
	最大门宽: ≤850mm Max door width: ≤850mm
	最大门重: ≤40kg Max door weight: ≤40kg
	尺寸: L220XW34XH60mm Size: L220XW34XH60mm
	适用范围: 塑钢门、木门、铝门、铁门 Application range: Plastic-steel door, wood door, aluminum door, iron door
	最大开门角度: 180° Max. opening angle: 180°
	关门速度调节范围: 180°-15° Closing speed adjustment range: 180°-15°
	闭门速度调节范围: 15°-0° Door closer speed adjustment range: 15°-0°
	使用寿命: 500,000次 Passed durability test: 500,000 cycles



ZC 82

闭门器 /Door Closing

● 支臂选择 /Supporting arm selection

支臂

L 型定位支臂

● 特点

高品质进口密封圈，防止漏油。
强力弹簧，闭门力度大。
优质铝合金机体，两层光亮层保护。
全液压控制可调节阀关门速度。
两个调速阀独立控制两段闭门速度。

● Feature

-High quality imported gaskets to prevent oil leakage.
-Strong spring to guarantee powerful closing.
-Fine quality aluminium alloy body.
Provided with 2 coatings for protection.
-Full hydraulic control of closing speeds by the help of adjustable valves.
-2 speed controls: closing speed and latching speed.

外形尺寸/Overall dimension

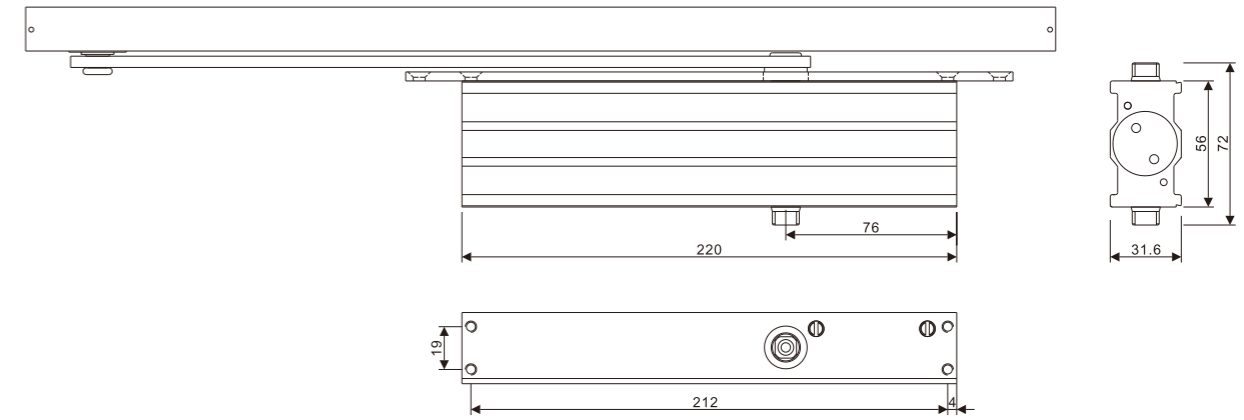
ZC 83

闭门器 /Door Closing



标准配置表 Standard configuration

<input type="checkbox"/>	表面处理: 静电烤漆 Finish: Electrostatic paint
<input type="checkbox"/>	主要材质: 铝合金 Materials: Aluminum alloy
EN	适用门宽/门重: 欧盟标准 EN1 Applied gate width/gate weight: EN1
	最大门宽: ≤750mm Max door width: ≤750mm
	最大门重: ≤20kg Max door weight: ≤20kg
	尺寸: L220XW32XH55mm Size: L220XW32XH55mm
	适用范围: 塑钢门、木门、铝门、铁门 Application range: Plastic-steel door, wood door, aluminum door, iron door
	最大开门角度: 105° Max. opening angle: 105°
	关门速度调节范围: 105°-15° Closing speed adjustment range: 105°-15°
	闭门速度调节范围: 15°-0° Door closer speed adjustment range: 15°-0°
	使用寿命: 500,000次 Passed durability test: 500,000 cycles



ZC 83

闭门器 /Door Closing

● 支臂选择 /Supporting arm selection

支臂

L 型定位支臂

● 特点

高品质进口密封圈，防止漏油。
强力弹簧，闭门力度大。
优质铝合金机体，两层光亮层保护。
全液压控制可调节阀关门速度。
两个调速阀独立控制两段闭门速度。

● Feature

-High quality imported gaskets to prevent oil leakage.
-Strong spring to guarantee powerful closing.
-Fine quality aluminium alloy body.
-Provided with 2 coatings for protection.
-Full hydraulic control of closing speeds by the help of adjustable valves.
-2 speed controls: closing speed and latching speed.

外形尺寸/Overall dimension

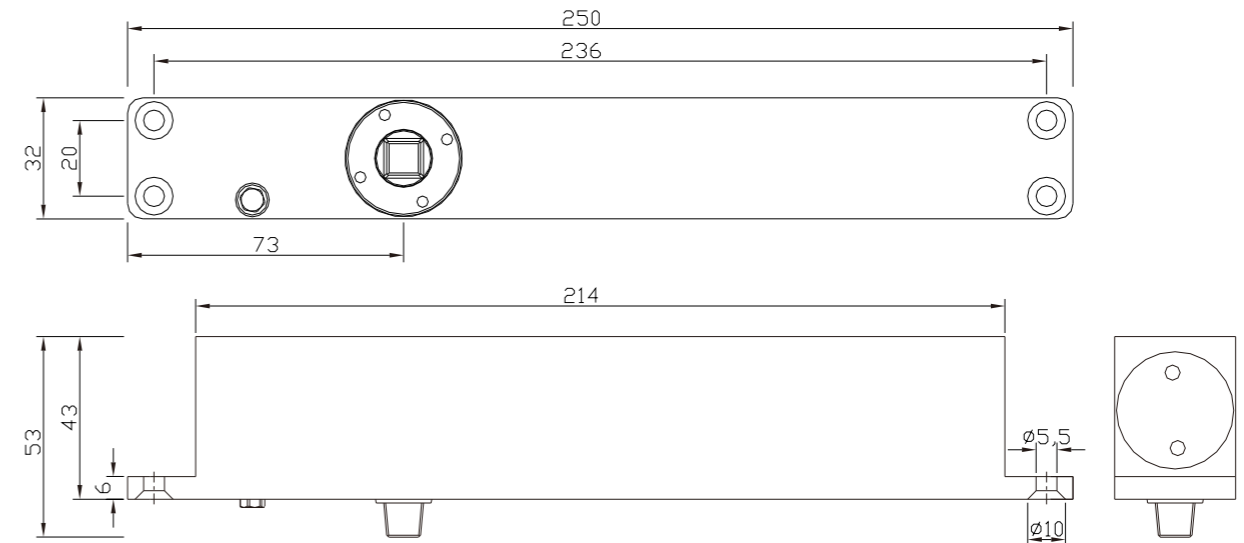
ZC 96B3

闭门器 /Door Closing



标准配置表 Standard configuration

<input type="checkbox"/>	表面处理: 静电烤漆 Finish: Electrostatic paint
<input type="checkbox"/>	主要材质: 铝合金 Materials: Aluminum alloy
EN	适用门宽/门重: 欧盟标准 EN2-EN4 Applied gate width/gate weight: EN2-EN4
	最大门宽: 偏轴门≤1100mm, 中轴门≤1800mm Max door width: pivot door ≤1100mm, central pivot door ≤1800mm
	最大门重: ≤100kg Max door weight: ≤100kg
	尺寸: L250XW32XH43mm Size: L250XW32XH43mm
	适用范围: 塑钢门、木门、铝门、铁门 Application range: Plastic-steel door, wood door, aluminum door, iron door
	最大开门角度: 130° Max. opening angle: 130°
	关门速度调节范围: 130°-10° Closing speed adjustment range: 130°-10°
	闭门速度调节范围: 10°-0° Door closer speed adjustment range: 10°-0°
	使用寿命: 500,000次 Passed durability test: 500,000 cycles



ZC 96B3

闭门器 /Door Closing

● 特点

高品质进口密封圈，防止漏油。
强力弹簧，闭门力度大。
优质铝合金机体，两层光亮层保护。
全液压控制可调节阀关门速度。
两个调速阀独立控制两段闭门速度。

● Feature

-High quality imported gaskets to prevent oil leakage.
-Strong spring to guarantee powerful closing.
-Fine quality aluminium alloy body.
-Provided with 2 coatings for protection.
-Full hydraulic control of closing speeds by the help of adjustable valves.
-2 speed controls: closing speed and latching speed.

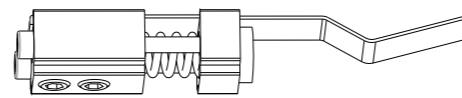
外形尺寸/Overall dimension

ZC 96

隐藏式凸轮闭门器
Concealed Cam-Action Door Closer



Cam action door closers provide a smoother and more controlled closing motion, which can reduce the risk of slamming. Cam action closers allow for easier adjustments in closing speed and force, making them versatile for different door weights and usage. Compact design.



- Hold-open device
- For track arm & rail
- Mechanical back-check

● 支臂选择 Supporting arm selection

支臂

L型暗装支臂

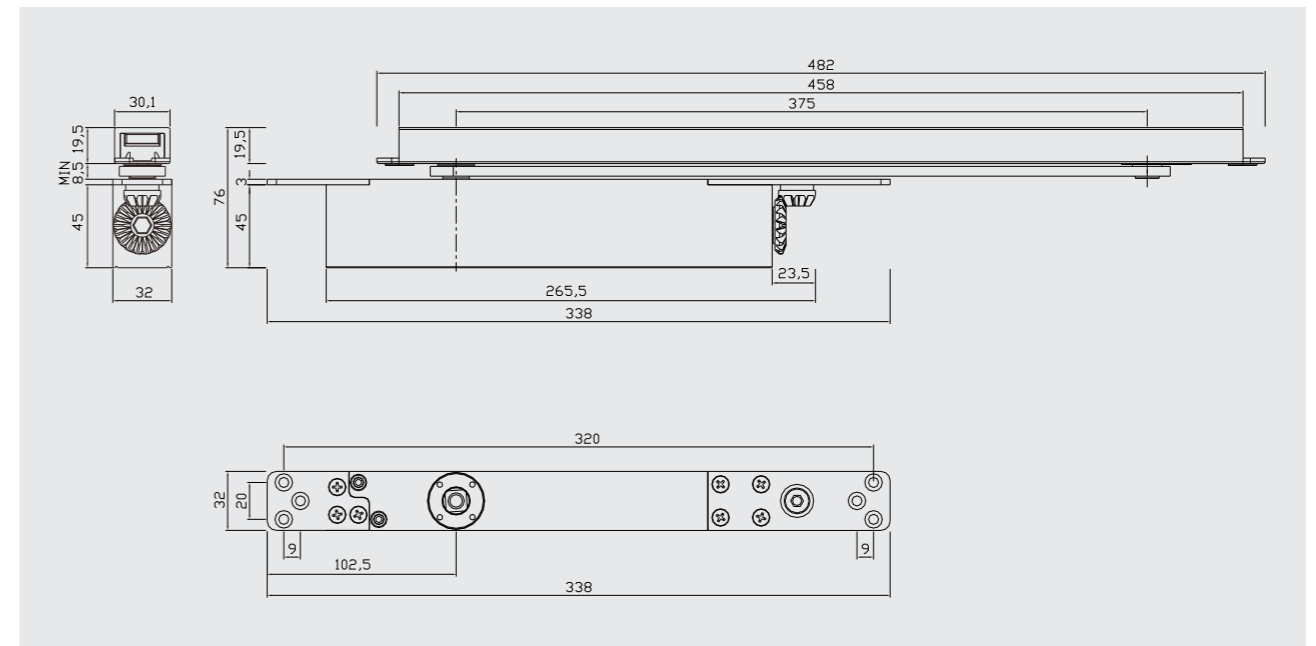
● 特点

高品质进口密封圈，防止漏油。
强力弹簧，闭门力度大。
优质铝合金机体，两层光亮层保护。
全液压控制可调节阀关门速度。
两个调速阀独立控制两段闭门速度。

● Feature

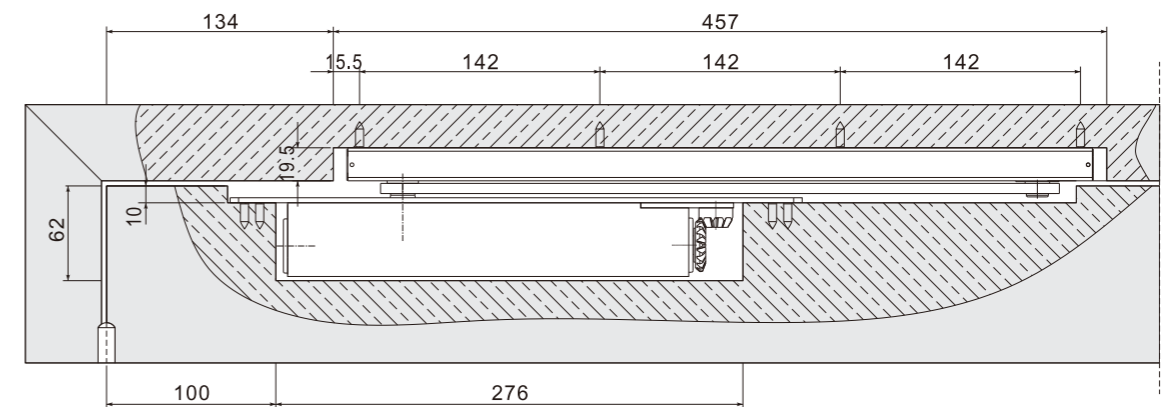
- High quality imported gaskets to prevent oil leakage.
- Strong spring to guarantee powerful closing.
- Fine quality aluminium alloy body. Provided with 2 coatings for protection.
- Full hydraulic control of closing speeds by the help of adjustable valves.
- 2 speed controls: closing speed and latching speed.

产品尺寸/Dimensions:

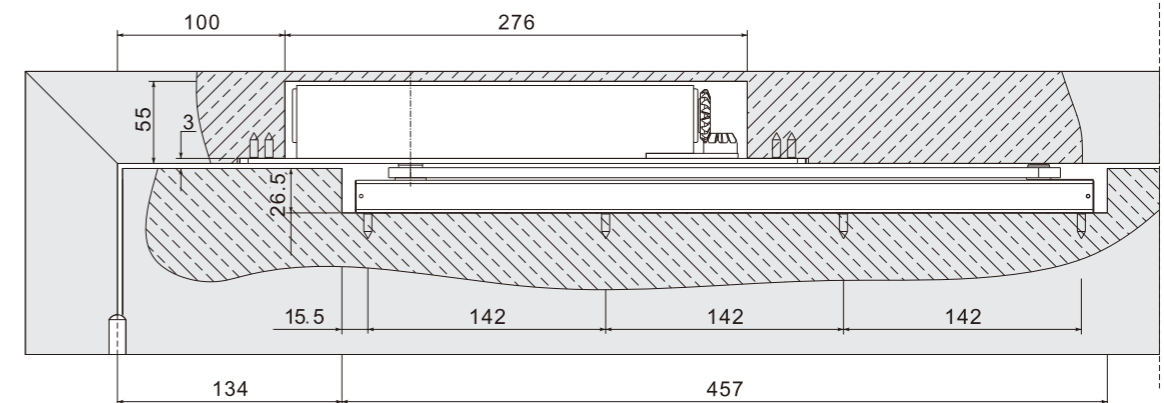


安装 / Installation:

- 藏在门扇方式 / Concealed in door

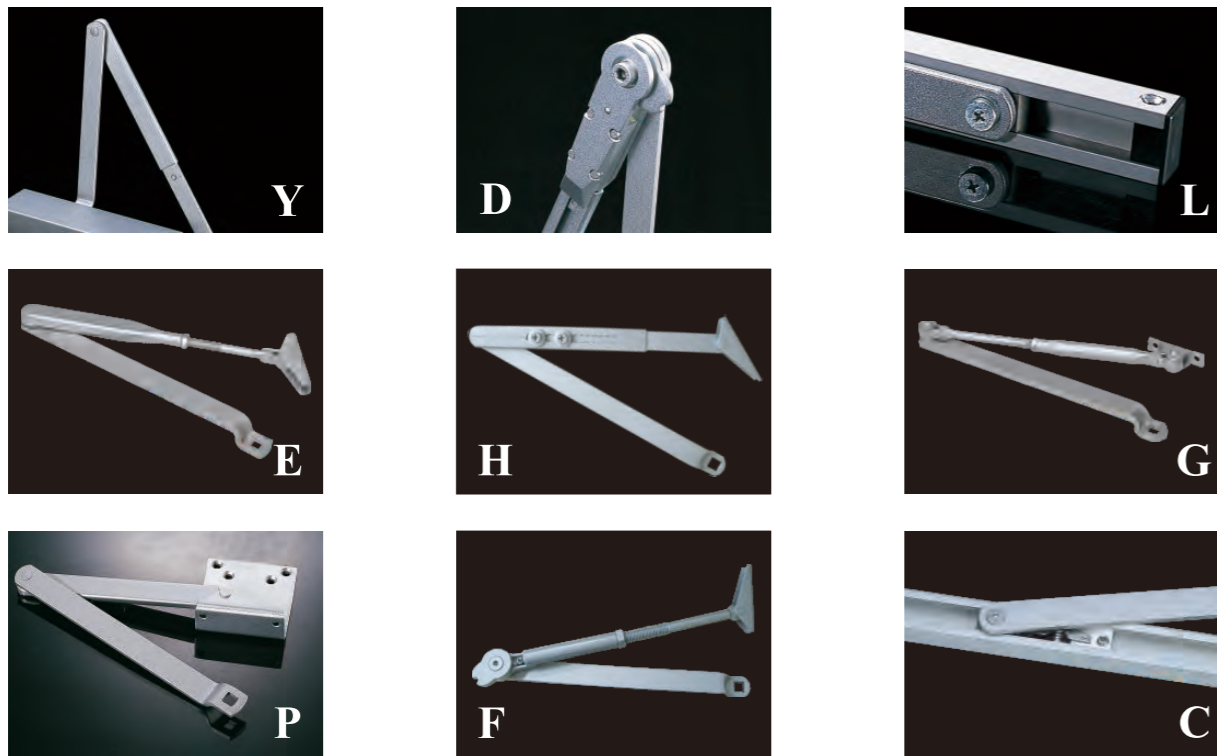


- 藏在门框方式 / Concealed in door frame



标准配置表 Standard configuration

	表面处理: 静电烤漆 Finish: Electrostatic paint
	主要材质: 铝合金 Materials: Aluminum alloy
	适用门宽/门重: EN 欧盟标准 EN2-EN4 Applied gate width/gate weight: EN2-EN4
	最大门宽: ≤1100mm Max door width: ≤1100mm
	最大门重: ≤80kg Max door weight: ≤80kg
	尺寸: L338XW32XH51mm Size: L338XW32XH51mm
	适用范围: 塑钢门、木门、铝门、铁门 Application range: Application range, Plastic-steel door, wood door, aluminum door, iron door
	最大开门角度: 160° Max. opening angle: 160°
	关门速度调节范围: 160° -20° /Closing speed adjustment range 160°-20° 闭门速度调节范围: 20° -0° /Door closer speed adjustment range 20°-0°
	使用寿命: 500,000次 Passed durability test: 500,000 cycles



EN standard

BS EN1154:1997-The European Standard for the performance of electrically powered hold open devices for swing doors.

This standard again provides details on product types, classification by use, test cycles, door mass, corrosion resistance, as well as definitions, product performance requirements, test apparatus, test methods and marking of products.

BS EN1155:1997 classifies products using the same 6 digit coding system as outlined in BS EN1154:1997. The only difference being box 3 where BS EN 1154 refers to durability, BS EN1155 refers to hold open power size.

Performance:In accordance with BS EN1154

Power Size 力量级别	Max Door Width 最大门宽	Max Door Weight 最大门重
1	750mm	20kg
2	850mm	40kg
3	950mm	60kg
4	1100mm	80kg
5	1250mm	100kg
6	1400mm	120kg

Power Size 力量级别	Close force(0°-4°) 关门力(0°-4°)	Open force(0°-60°) 开门力(0°-60°)	Effciency 效率
1	9<13	< 26	50
2	13<18	< 36	50
3	18<26	< 47	55
4	26<37	< 62	60
5	37<54	< 83	65
6	54<87	<134	65

型号	Regular Arm/ 普通臂	Sliding Hold Open Arm/滑槽定位臂	Hold Open Arm/ 定位臂	Parallel Arm/ 平行臂
ZC61 ZC10 ZC20 ZC30 ZC20A ZCG20 ZCG30 ZC22				
ZC61-A ZC62-A ZC62-B2				
ZC29 ZC68 ZC33				
ZC81 ZC82 ZC83				
ZC084 ZC50A ZC52 ZC63B ZC64B ZC64BV ZC42				



Glass
Door Clamp Series
玻璃门夹系列



铝材型门夹系列

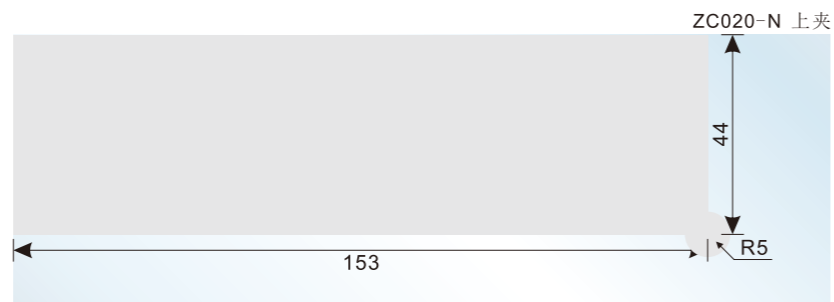
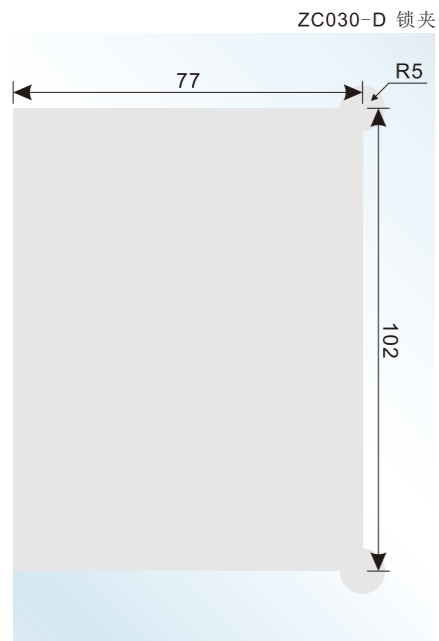
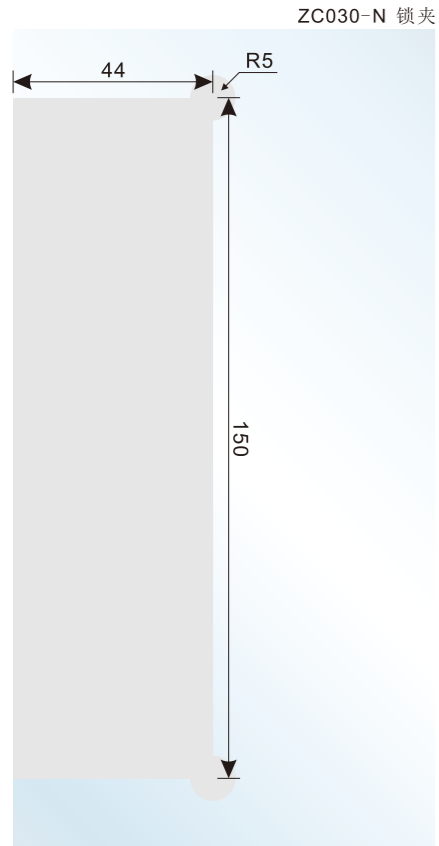
适用范围：12mm厚玻璃
固定螺丝之拉距：M6:20Nm
饰面-拉丝不锈钢

其中液压下夹：适用范围：12mm厚玻璃，
具有闭门器及普通玻璃门夹功能，最大门
重：≤45kg,最大门宽：≤850mm

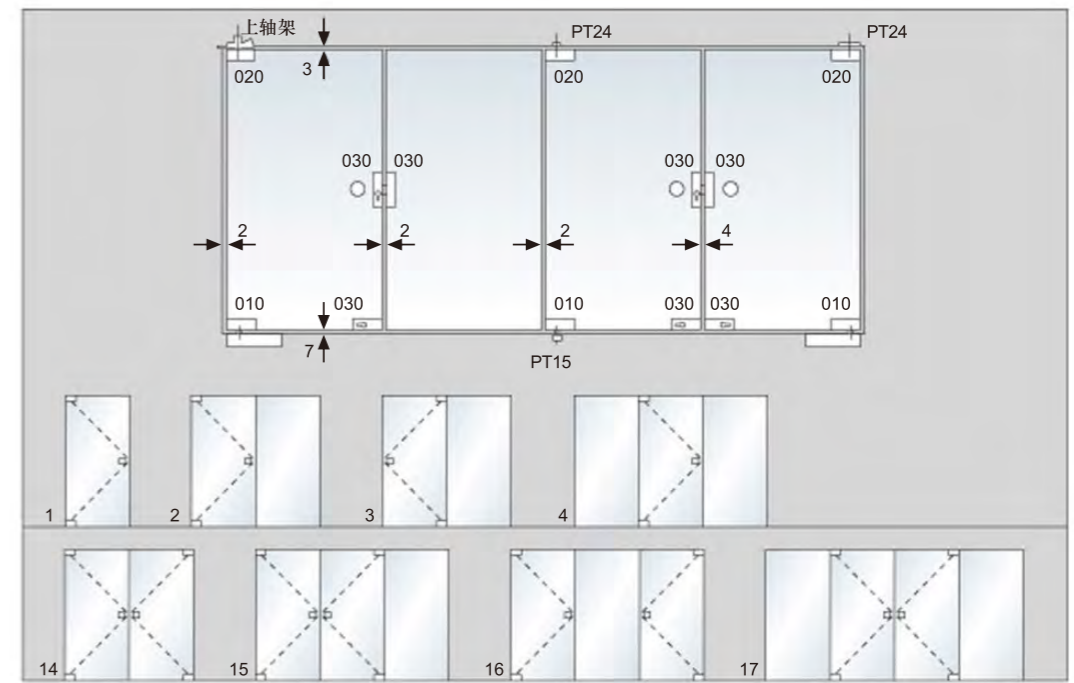
适用门宽/门重：EN欧盟标准EN2#
最大开门角度180°，可调节闭门段。

优点：
1. 玻璃开孔简单
2. 不容易爆裂
3. 容易安装

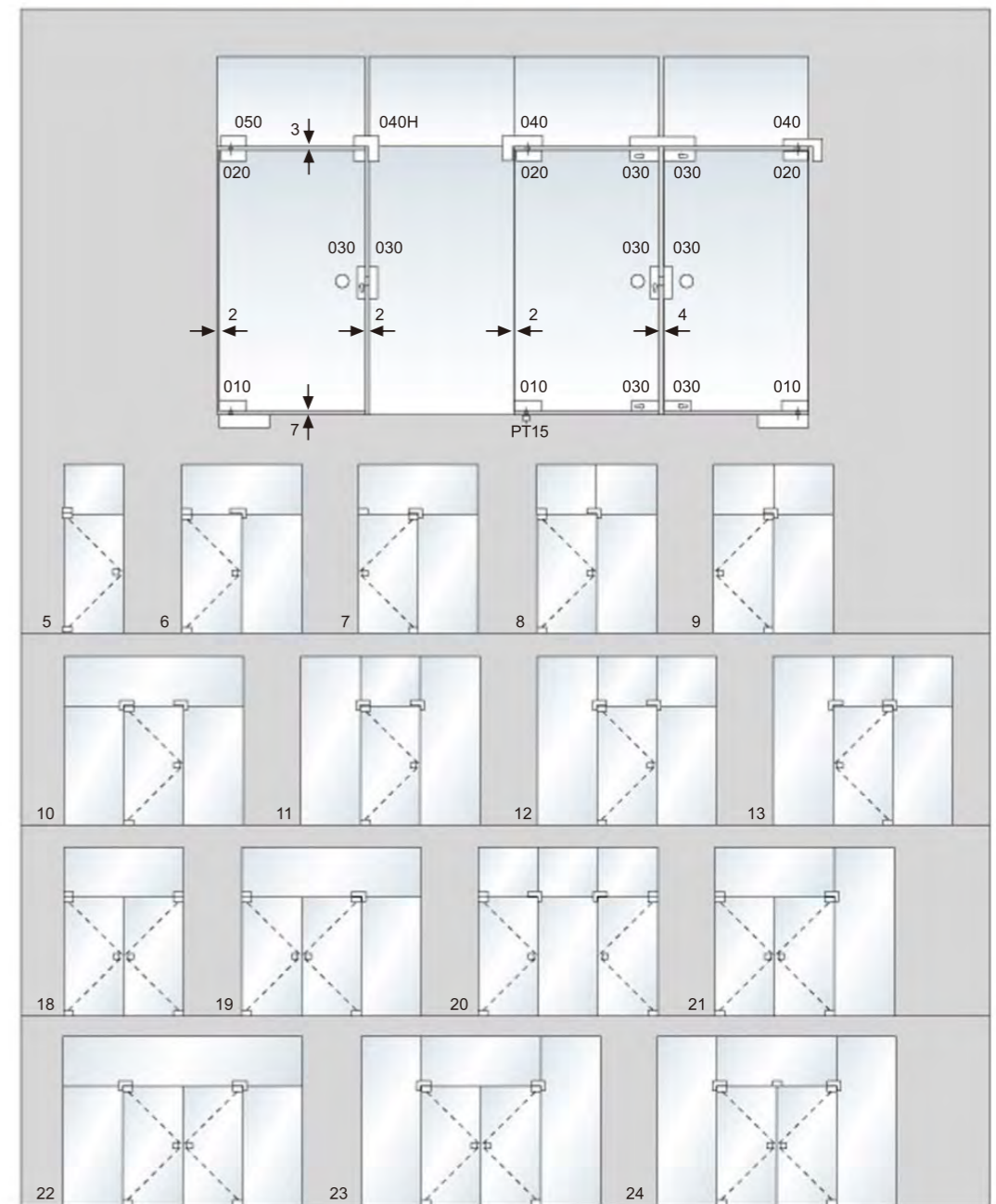
玻璃开孔尺寸



方型夹门扇式样/Square patch fitting models



异型夹门扇式样/Irregular patch fitting models





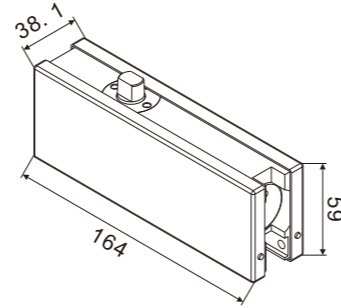
ZC018-N 液压下夹

下夹 Door bottom

技术资料 TECHNICAL INFO

- A. 材质, 内芯采用高强度铝精制而成, 外亮采用不锈钢冲压而成。
- B. 适用于厚度为 10mm-12mm 无框钢化玻璃门。
- C. 产品备有不同规格下夹头、上夹、曲夹、轴心可与各地弹簧配合使用。
- D. 表面颜色: 镜光、拉丝、钛金、可供选择, 或根据要求定做颜色。

A. Material: the core is made of high strength Aluminum after casting, and the case is made of stainless steel after stamping.
B. It is applicable to frameless toughened glass door with a thickness of 10mm to 12mm.
C. Products include different sized lower clip, curve clip, axle center and may be cooperated with imported ground spring for operation.
D. Surface colors include mirror, sand, titanium and fog, up to your choice, special color may be provided according to your demand.



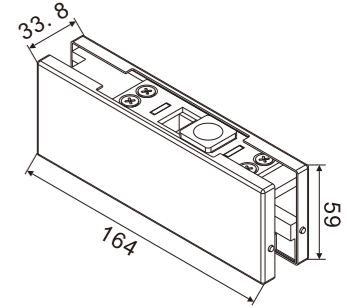
ZC020-N

上夹 Door top

技术资料 TECHNICAL INFO

- A. 材质, 内芯采用高强度铝精制而成, 外亮采用不锈钢冲压而成。
- B. 适用于厚度为 10mm-12mm 无框钢化玻璃门。
- C. 产品备有不同规格下夹头、上夹、曲夹、轴心可与各地弹簧配合使用。
- D. 表面颜色: 镜光、拉丝、钛金、可供选择, 或根据要求定做颜色。

A. Material: the core is made of high strength Aluminum after casting, and the case is made of stainless steel after stamping.
B. It is applicable to frameless toughened glass door with a thickness of 10mm to 12mm.
C. Products include different sized lower clip, curve clip, axle center and may be cooperated with imported ground spring for operation.
D. Surface colors include mirror, sand, titanium and fog, up to your choice, special color may be provided according to your demand.



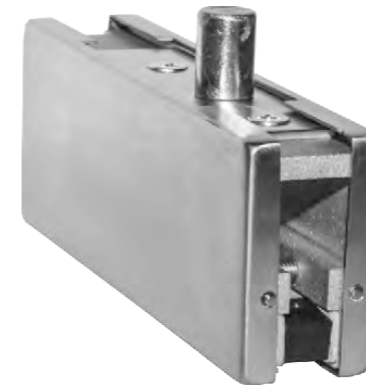
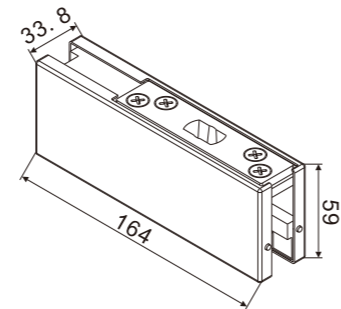
ZC010-N

下夹 Door bottom

技术资料 TECHNICAL INFO

- A. 材质, 内芯采用高强度铝精制而成, 外亮采用不锈钢冲压而成。
- B. 适用于厚度为 10mm-12mm 无框钢化玻璃门。
- C. 产品备有不同规格下夹头、上夹、曲夹、轴心可与各地弹簧配合使用。
- D. 表面颜色: 镜光、拉丝、钛金、可供选择, 或根据要求定做颜色。

A. Material: the core is made of high strength Aluminum after casting, and the case is made of stainless steel after stamping.
B. It is applicable to frameless toughened glass door with a thickness of 10mm to 12mm.
C. Products include different sized lower clip, curve clip, axle center and may be cooperated with imported ground spring for operation.
D. Surface colors include mirror, sand, titanium and fog, up to your choice, special color may be provided according to your demand.



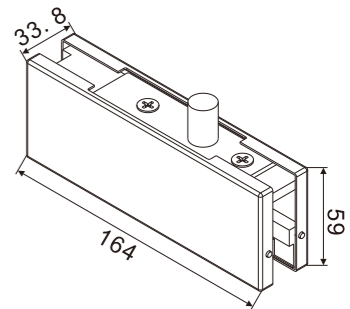
ZC050-N

顶夹 Door frame top

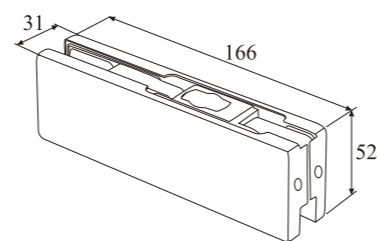
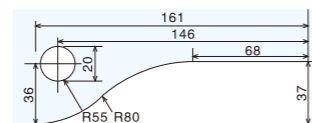
技术资料 TECHNICAL INFO

- A. 材质, 内芯采用高强度铝精制而成, 外亮采用不锈钢冲压而成。
- B. 适用于厚度为 10mm-12mm 无框钢化玻璃门。
- C. 产品备有不同规格下夹头、上夹、曲夹、轴心可与各地弹簧配合使用。
- D. 表面颜色: 镜光、拉丝、钛金、可供选择, 或根据要求定做颜色。

A. Material: the core is made of high strength Aluminum after casting, and the case is made of stainless steel after stamping.
B. It is applicable to frameless toughened glass door with a thickness of 10mm to 12mm.
C. Products include different sized lower clip, curve clip, axle center and may be cooperated with imported ground spring for operation.
D. Surface colors include mirror, sand, titanium and fog, up to your choice, special color may be provided according to your demand.



玻璃切割图



ZC 010

下夹 Door bottom

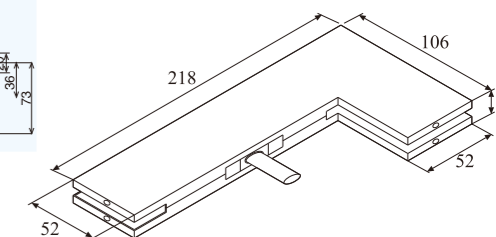
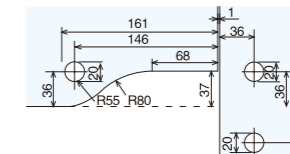
技术资料 TECHNICAL INFO

- A. 材质, 内芯采用高强度铝精制而成, 外亮采用不锈冲压而成。
- B. 适用于厚度为 10mm-12mm 无框钢化玻璃门。
- C. 产品备有不同规格下夹头、上夹、曲夹、轴心可与各地弹簧配合使用。
- D. 表面颜色: 镜光、拉丝、钛金、可供选择, 或根据要求定做颜色。

A. Material: the core is made of high strength Aluminum after casting, and the case is made of stainless steel after stamping.
B. It is applicable to frameless toughened glass door with a thickness of 10mm to 12mm.
C. Products include different sized lower clip, curve clip, axle center and may be cooperated with imported ground spring for operation.
D. Surface colors include mirror, sand, titanium and fog, up to your choice, special color may be provided according to your demand.



玻璃切割图



ZC 040

曲夹 Door corner

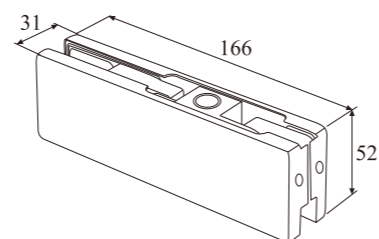
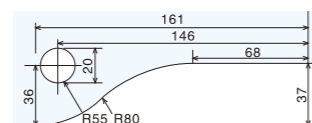
技术资料 TECHNICAL INFO

- A. 材质, 内芯采用高强度铝精制而成, 外亮采用不锈冲压而成。
- B. 适用于厚度为 10mm-12mm 无框钢化玻璃门。
- C. 产品备有不同规格下夹头、上夹、曲夹、轴心可与各地弹簧配合使用。
- D. 表面颜色: 镜光、拉丝、钛金、可供选择, 或根据要求定做颜色。

A. Material: the core is made of high strength Aluminum after casting, and the case is made of stainless steel after stamping.
B. It is applicable to frameless toughened glass door with a thickness of 10mm to 12mm.
C. Products include different sized lower clip, curve clip, axle center and may be cooperated with imported ground spring for operation.
D. Surface colors include mirror, sand, titanium and fog, up to your choice, special color may be provided according to your demand.



玻璃切割图



ZC 020

上夹 Door top

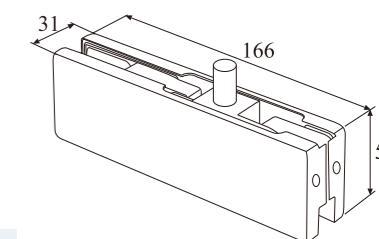
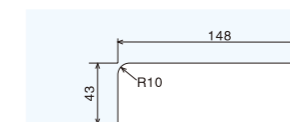
技术资料 TECHNICAL INFO

- A. 材质, 内芯采用高强度铝精制而成, 外亮采用不锈冲压而成。
- B. 适用于厚度为 10mm-12mm 无框钢化玻璃门。
- C. 产品备有不同规格下夹头、上夹、曲夹、轴心可与各地弹簧配合使用。
- D. 表面颜色: 镜光、拉丝、钛金、可供选择, 或根据要求定做颜色。

A. Material: the core is made of high strength Aluminum after casting, and the case is made of stainless steel after stamping.
B. It is applicable to frameless toughened glass door with a thickness of 10mm to 12mm.
C. Products include different sized lower clip, curve clip, axle center and may be cooperated with imported ground spring for operation.
D. Surface colors include mirror, sand, titanium and fog, up to your choice, special color may be provided according to your demand.



玻璃切割图



ZC 050

顶夹 Door frame top

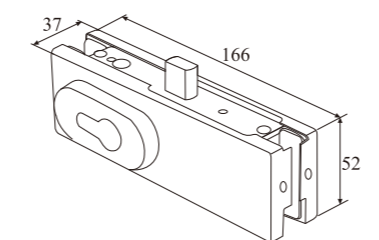
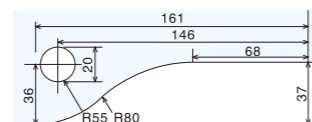
技术资料 TECHNICAL INFO

- A. 材质, 内芯采用高强度铝精制而成, 外亮采用不锈冲压而成。
- B. 适用于厚度为 10mm-12mm 无框钢化玻璃门。
- C. 产品备有不同规格下夹头、上夹、曲夹、轴心可与各地弹簧配合使用。
- D. 表面颜色: 镜光、拉丝、钛金、可供选择, 或根据要求定做颜色。

A. Material: the core is made of high strength Aluminum after casting, and the case is made of stainless steel after stamping.
B. It is applicable to frameless toughened glass door with a thickness of 10mm to 12mm.
C. Products include different sized lower clip, curve clip, axle center and may be cooperated with imported ground spring for operation.
D. Surface colors include mirror, sand, titanium and fog, up to your choice, special color may be provided according to your demand.



玻璃切割图



ZC 030

锁夹 Lock clamp

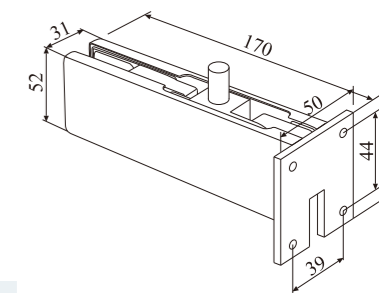
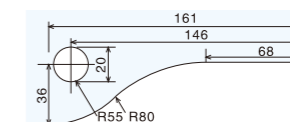
技术资料 TECHNICAL INFO

- A. 材质, 内芯采用高强度铝精制而成, 外亮采用不锈冲压而成。
- B. 适用于厚度为 10mm-12mm 无框钢化玻璃门。
- C. 产品备有不同规格下夹头、上夹、曲夹、轴心可与各地弹簧配合使用。
- D. 表面颜色: 镜光、拉丝、钛金、可供选择, 或根据要求定做颜色。

A. Material: the core is made of high strength Aluminum after casting, and the case is made of stainless steel after stamping.
B. It is applicable to frameless toughened glass door with a thickness of 10mm to 12mm.
C. Products include different sized lower clip, curve clip, axle center and may be cooperated with imported ground spring for operation.
D. Surface colors include mirror, sand, titanium and fog, up to your choice, special color may be provided according to your demand.



玻璃切割图



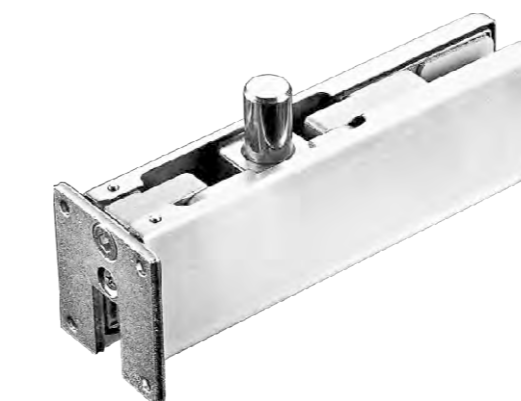
ZC 060

侧夹 Side clamp

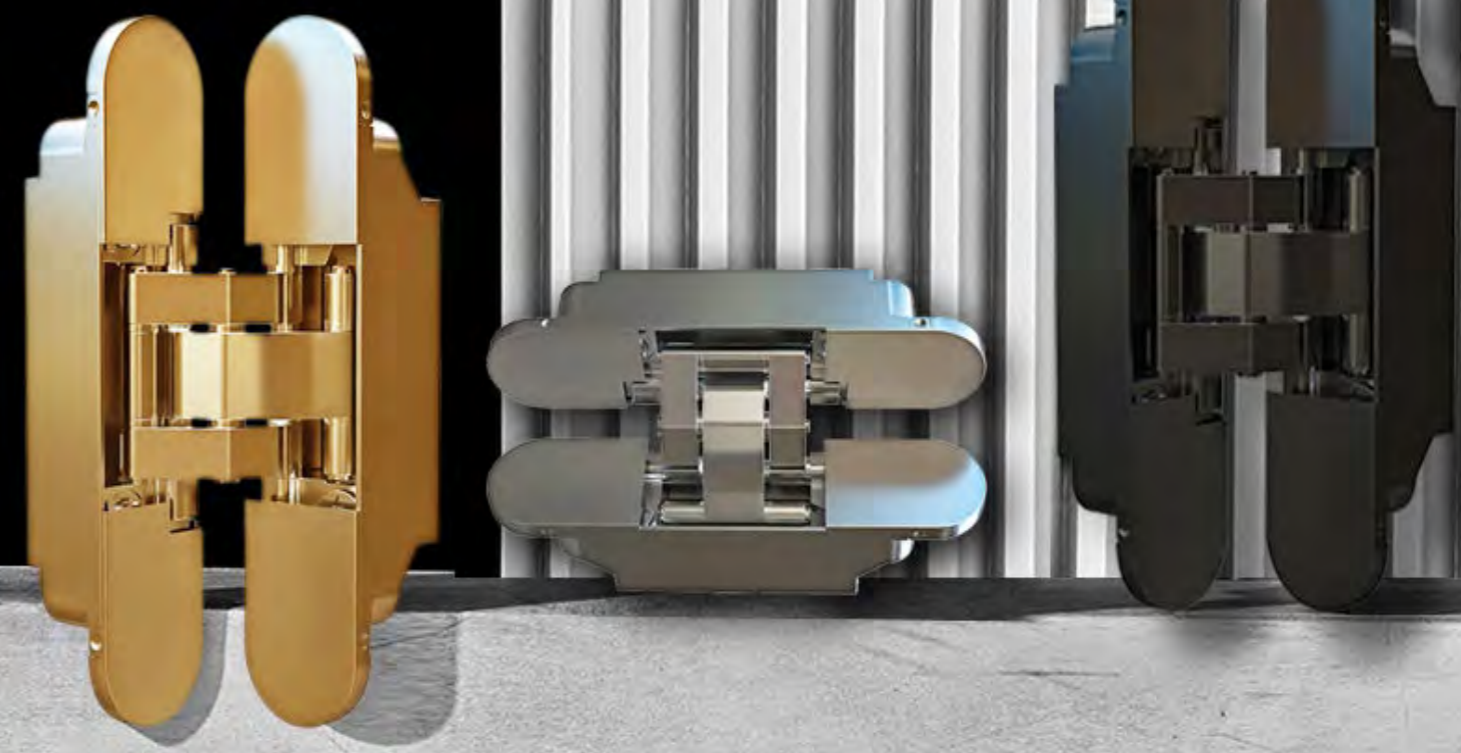
技术资料 TECHNICAL INFO

- A. 材质, 内芯采用高强度铝精制而成, 外亮采用不锈冲压而成。
- B. 适用于厚度为 10mm-12mm 无框钢化玻璃门。
- C. 产品备有不同规格下夹头、上夹、曲夹、轴心可与各地弹簧配合使用。
- D. 表面颜色: 镜光、拉丝、钛金、可供选择, 或根据要求定做颜色。

A. Material: the core is made of high strength Aluminum after casting, and the case is made of stainless steel after stamping.
B. It is applicable to frameless toughened glass door with a thickness of 10mm to 12mm.
C. Products include different sized lower clip, curve clip, axle center and may be cooperated with imported ground spring for operation.
D. Surface colors include mirror, sand, titanium and fog, up to your choice, special color may be provided according to your demand.



3D CONCEALED HINGES



产品介绍

PRODUCT INTRODUCTION



精工品质



静音顺畅



经久耐用



安装简便

EVO Series

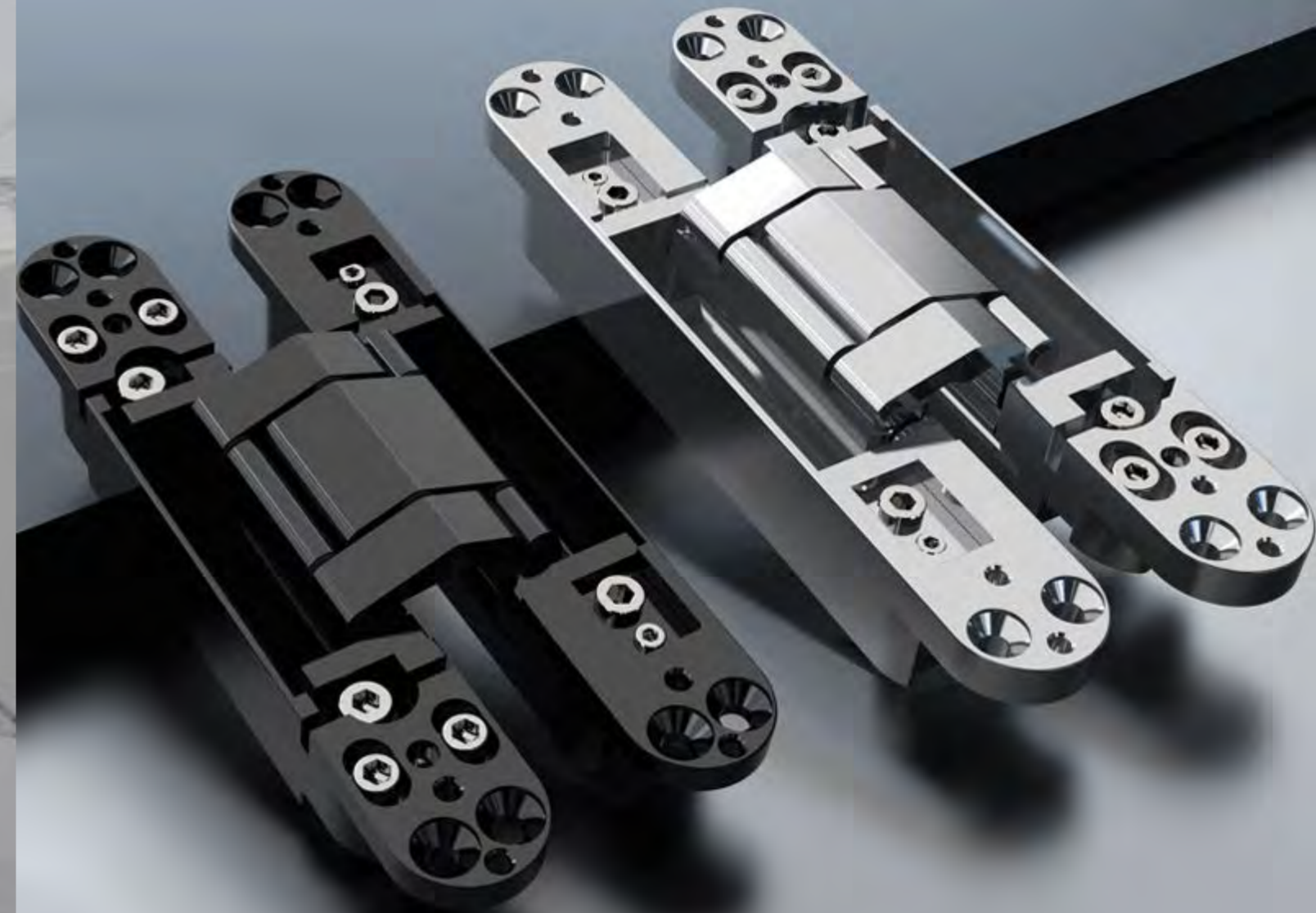




NEO Series



德国品质



产品细节

Product details

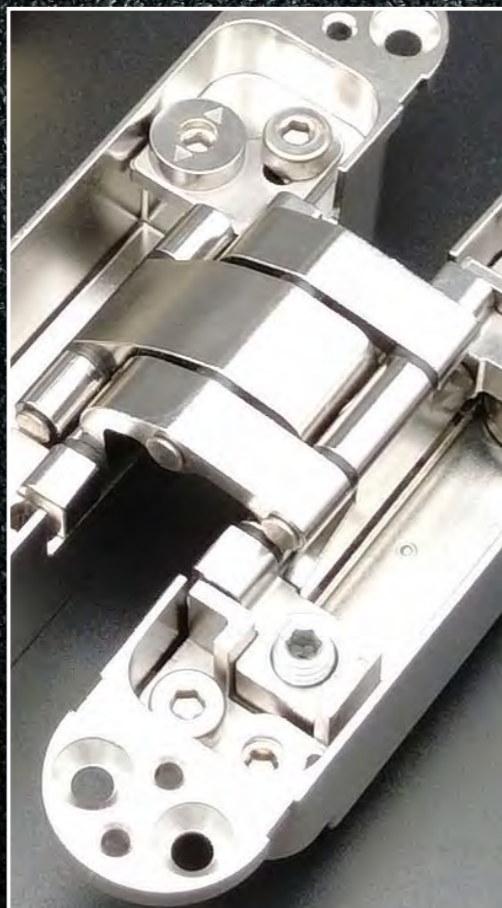
三维可调

Three dimensional adjustable



超薄设计
Slim Design

槽口浅
更易安装和更换



容易调整
EASY ADJUSTMENTS

不分左右 安装更方便
精确调节 无需拆卸门



七轴受力 强劲承重
Seven axis load-bearing stability

七轴支撑
受力均匀 经久耐用



三维可调

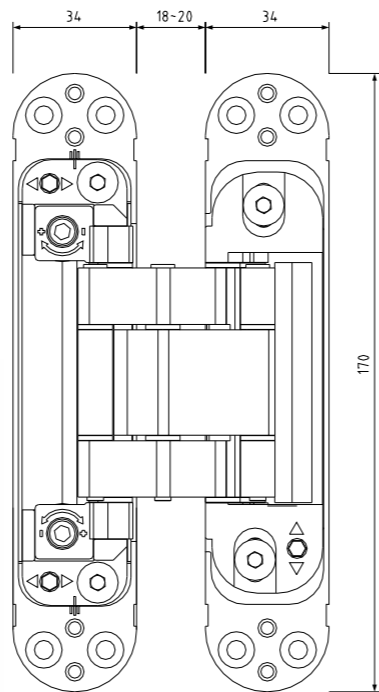
安装好，可以用角匙调节三个方向，使门的开启更顺畅，更贴合。

HY 100KG-C

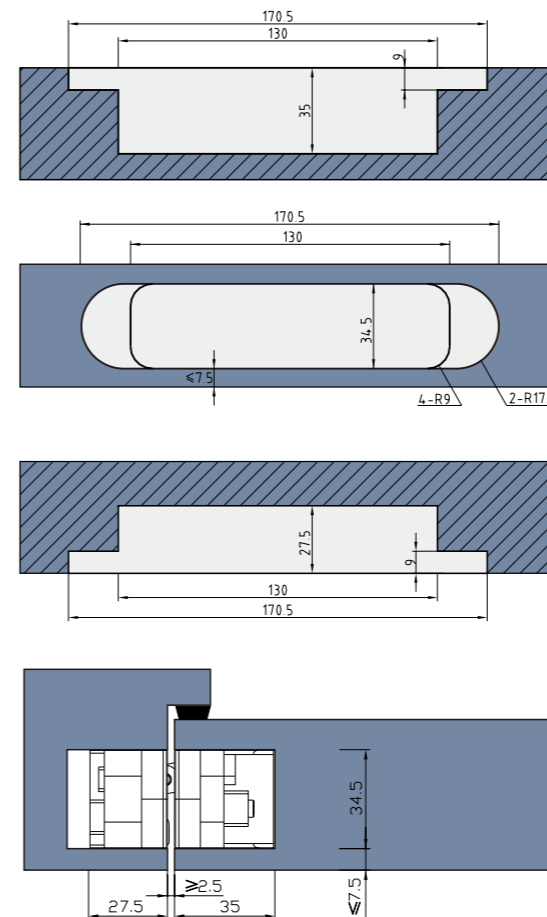
可调隐藏合页/
Adjustable concealed hinge



外形尺寸/Overall dimension



开孔尺寸/Cut out



技术参数/Technical info

适用门类 Type of doors	嵌入式安装 Flush mounted	
可调范围 Adjustments	上下 Vertical	+/- 3mm
	左右 Horizontal	+/- 2.5mm
	前后 Depth	+/- 1mm
开启角度 Opening angel	180°	
最大承重 Max door weight	单个门扇2个铰链 2 Hinges per Door Leaf	100 Kg
门扇最小厚度 Min door thickness	45 mm	
门扇最大宽度 Max door width	1200 mm	
材质 Material	铰链体 Hinge Body	锌合金 Zinc Alloy
	接合器 Joiners	铝合金 Aluminum
	主轴 Spindles	不锈钢\钢 Stainless\Steel
表面处理 Finishes	珍珠铬\镀镍\镀铜\喷漆 Chrome\Nickle\Brass\Painting	

特别提示 /Note

门扇和门框间距小，具有防夹手功能
Finger protection due to small gap between door and frame

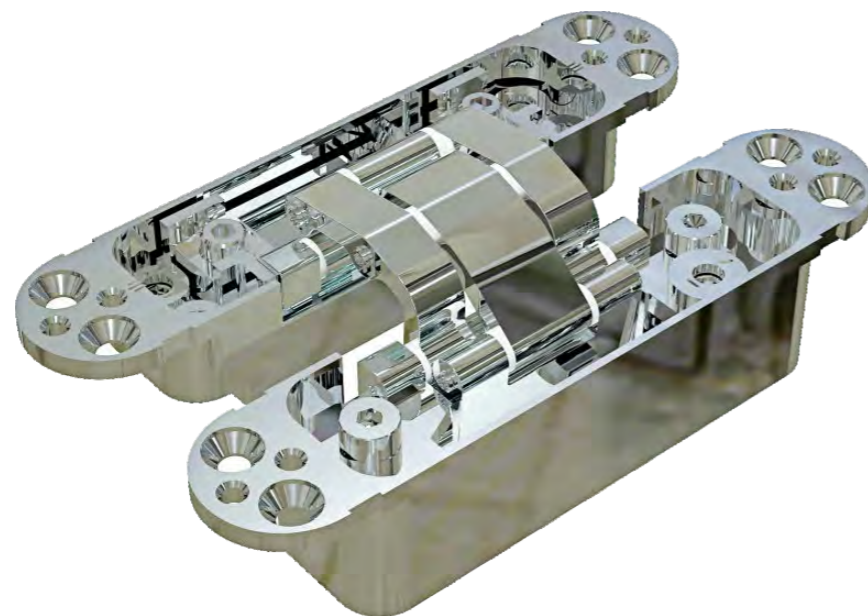
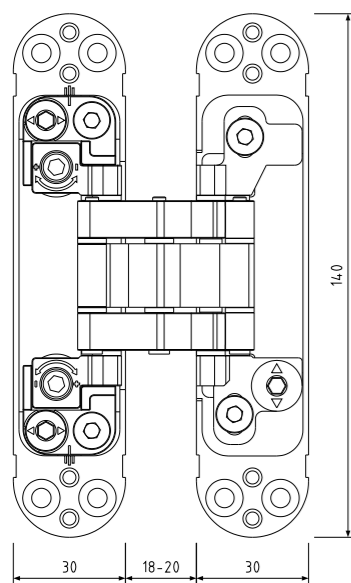
应用领域 /Application

适用于防火门、防烟门、隔音门、防盗门等
Completely concealed for flush door with wood steel or aluminum frame

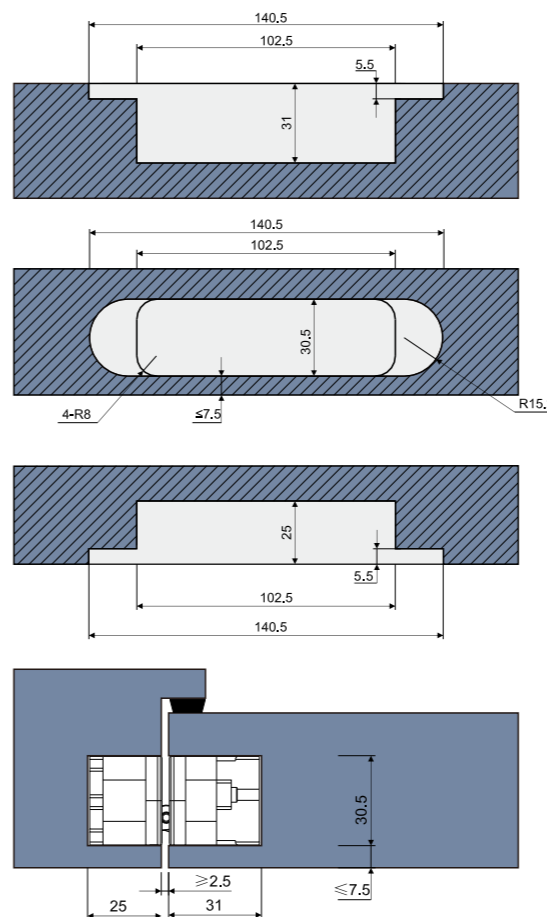
HY 80KG-F (不锈钢)

可调隐藏合页/(STAINLESS STEEL)
Adjustable concealed hinge

外形尺寸/Overall dimension



开孔尺寸/Cut out



技术参数/Technical info

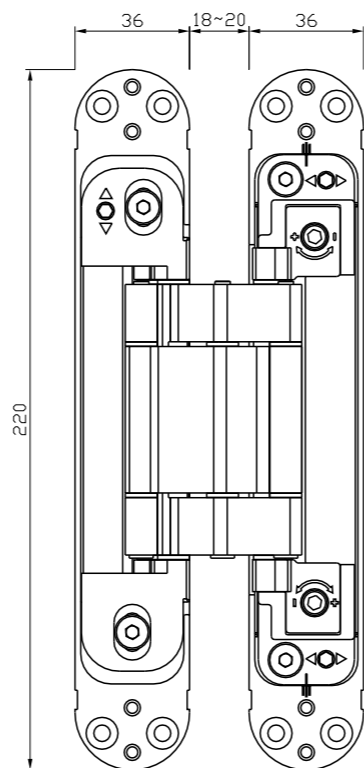
适用门类 Type of doors	嵌入式安装 Flush mounted	
可调范围 Adjustments	上下 Vertical	+/- 3mm
	左右 Horizontal	+/- 2.5mm
	前后 Depth	+/- 1mm
开启角度 Opening angel	180°	
最大承重 Max door weight	单个门扇2个铰链 2 Hinges per Door Leaf	100 Kg
门扇最小厚度 Min door thickness	40 mm	
门扇最大宽度 Max door width	1200 mm	
材质 Material	铰链体 Hinge Body	不锈钢\钢 Stainless\Steel
	接合器 Joiners	不锈钢\钢 Stainless\Steel
	主轴 Spindles	不锈钢\钢 Stainless\Steel
表面处理 Finishes	珍珠铬\镀镍\镀铜\喷漆 Chrome\Nickle\Brass\Painting	

HY 150KG-B

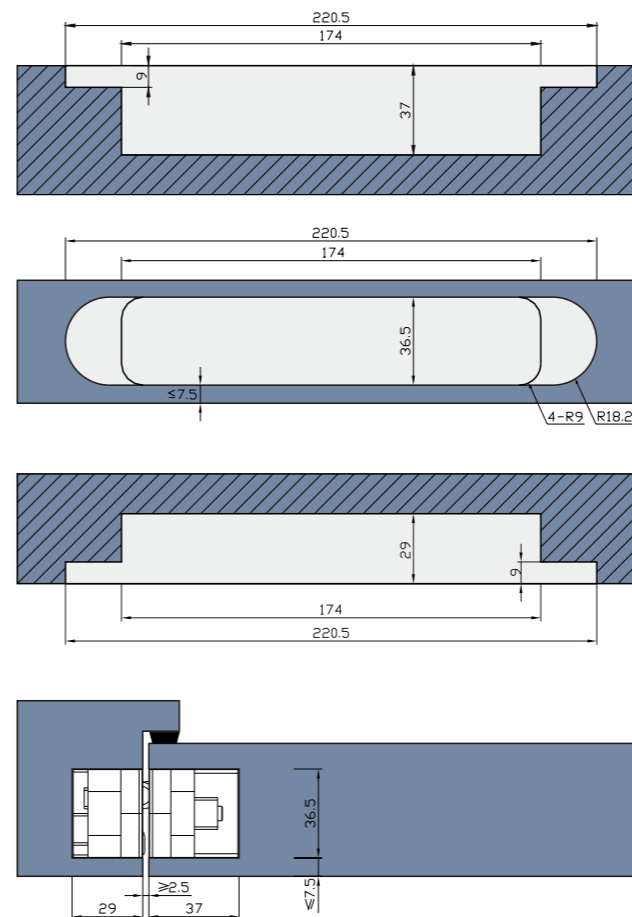
可调隐藏合页/
Adjustable concealed hinge



外形尺寸/Overall dimension



开孔尺寸/Cut out



技术参数/Technical info

适用门类 Type of doors	嵌入式安装 Flush mounted	
可调范围 Adjustments	上下 Vertical	+/- 3mm
	左右 Horizontal	+/- 2.5mm
	前后 Depth	+/- 1mm
开启角度 Opening angel	180°	
最大承重 Max door weight	单个门扇2个铰链 2 Hinges per Door Leaf	150 Kg
门扇最小厚度 Min door thickness	45 mm	
门扇最大宽度 Max door width	1500 mm	
材质 Material	铰链体 Hinge Body	锌合金 Zinc Alloy
	接合器 Joiners	铝合金 Aluminum
	主轴 Spindles	不锈钢\钢 Stainless\Steel
表面处理 Finishes	珍珠铬\镀镍\镀铜\喷漆 Chrome\Nickle\Brass\Painting	

特别提示 /Note

门扇和门框间距小，具有防夹手功能
Finger protection due to small gap between door and frame

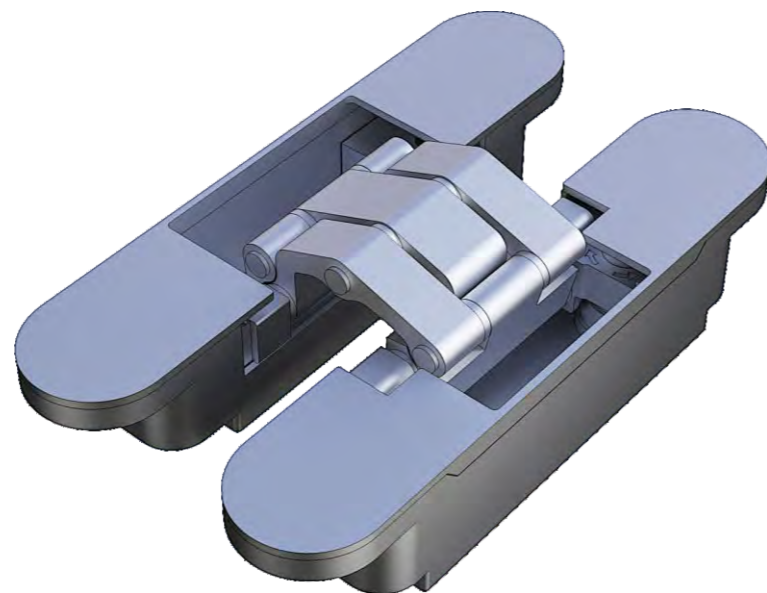
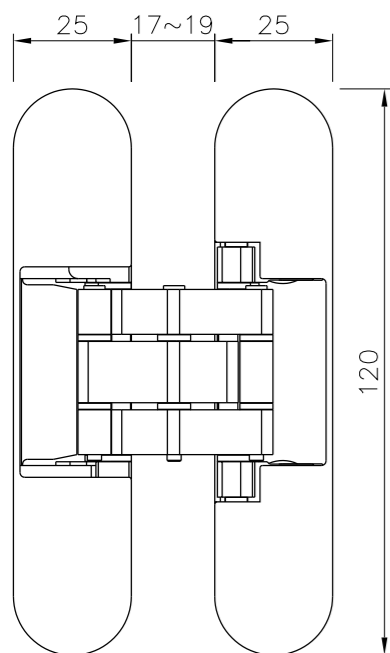
应用领域 /Application

适用于防火门、防烟门、隔音门、防盗门等
Completely concealed for flush door with wood steel or aluminum frame

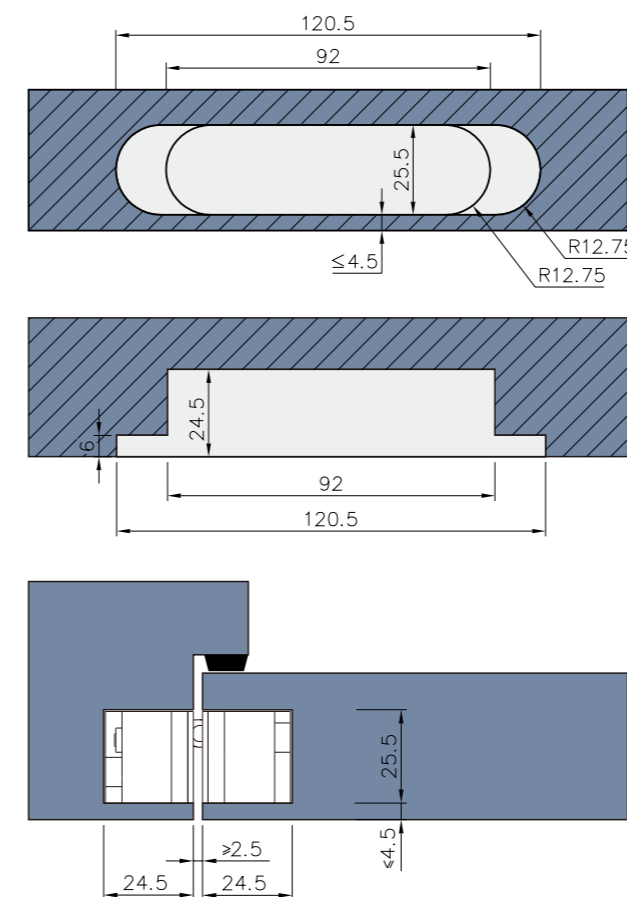
HY 35KG-A

可调隐藏合页/
Adjustable concealed hinge

外形尺寸/Overall dimension



开孔尺寸/Cut out



技术参数/Technical info

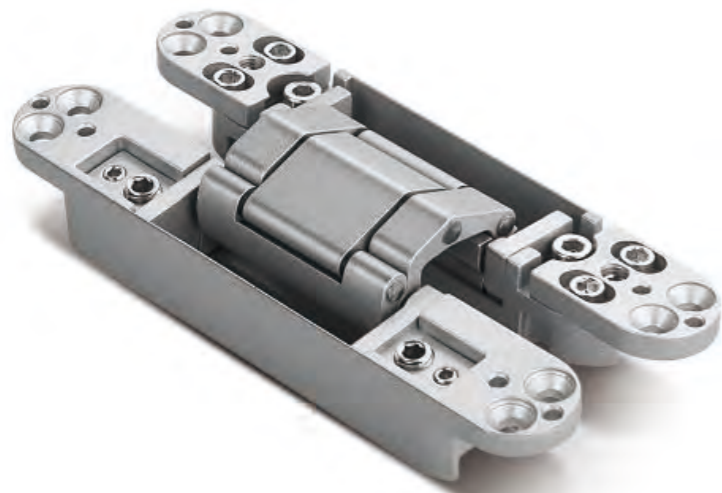
适用门类 Type of doors	嵌入式安装 Flush mounted	
可调范围 Adjustments	上下 Vertical	+/- 3mm
	左右 Horizontal	+/- 2.5mm
	前后 Depth	+/- 1mm
开启角度 Opening angel	180°	
最大承重 Max door weight	单个门扇2个铰链 2 Hinges per Door Leaf	35 Kg
门扇最小厚度 Min door thickness	35 mm	
门扇最大宽度 Max door width	850 mm	
材质 Material	铰链体 Hinge Body	锌合金 Zinc Alloy
	接合器 Joiners	铝合金 Aluminum
	主轴 Spindles	不锈钢\钢 Stainless\Steel
表面处理 Finishes	珍珠铬\镀镍\镀铜\喷漆 Chrome\Nickle\Brass\Painting	

ZCG Series

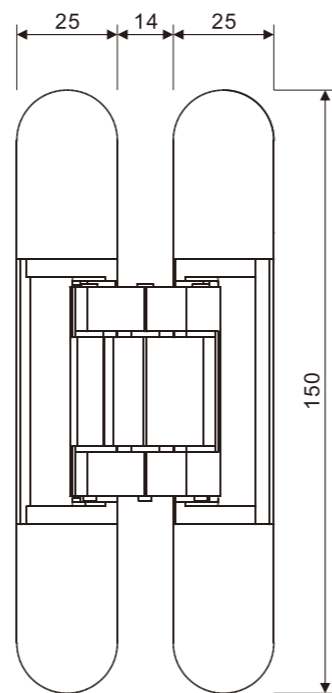


ZCG 40

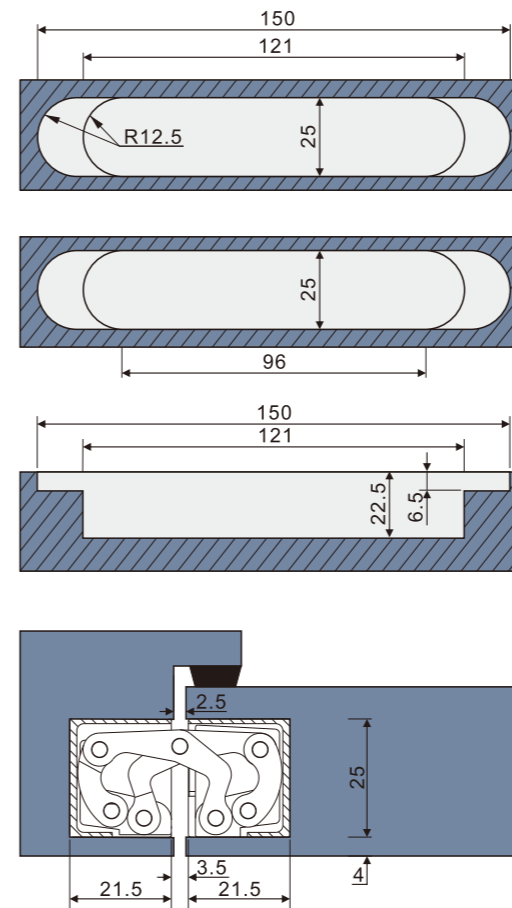
可调隐藏合页/
Adjustable concealed hinge



外形尺寸/Overall dimension



开孔尺寸/Cut out



技术参数/Technical info

适用门类 Type of doors	嵌入式安装 Flush mounted	
可调范围 Adjustments	上下 Vertical	+/- 3mm
	左右 Horizontal	+/- 2mm
	前后 Depth	+/- 1mm
开启角度 Opening angel	180°	
最大承重 Max door weight	单个门扇2个铰链 2 Hinges per Door Leaf	40 Kg
门扇最小厚度 Min door thickness	35 mm	
门扇最大宽度 Max door width	850 mm	
材质 Material	铰链体 Hinge Body	锌合金 Zinc Alloy
	接合器 Joiners	铝合金 Aluminum
	主轴 Spindles	不锈钢\钢 Stainless\Steel
表面处理 Finishes	珍珠铬\镀镍\镀铜\喷漆 Chrome\Nickel\Brass\Painting	

特别提示 /Note

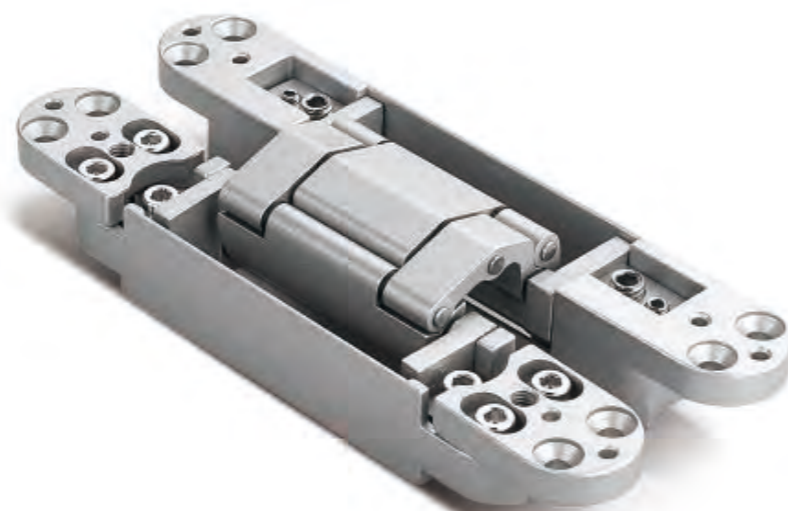
门扇和门框间距小，具有防夹手功能
Finger protection due to small gap between door and frame

应用领域 /Application

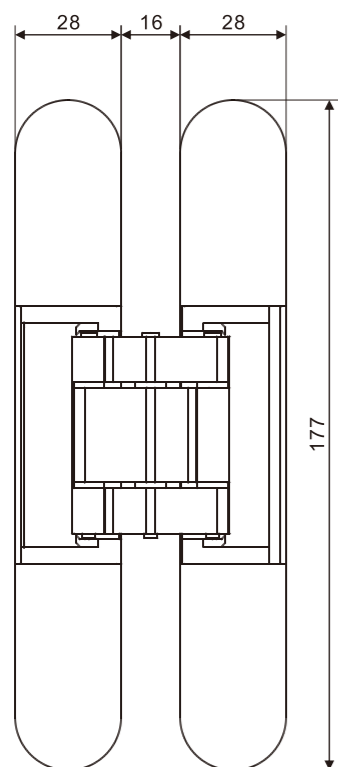
适用于防火门、防烟门、隔音门、防盗门等
Completely concealed for flush door with wood steel or aluminum frame

ZCG 80

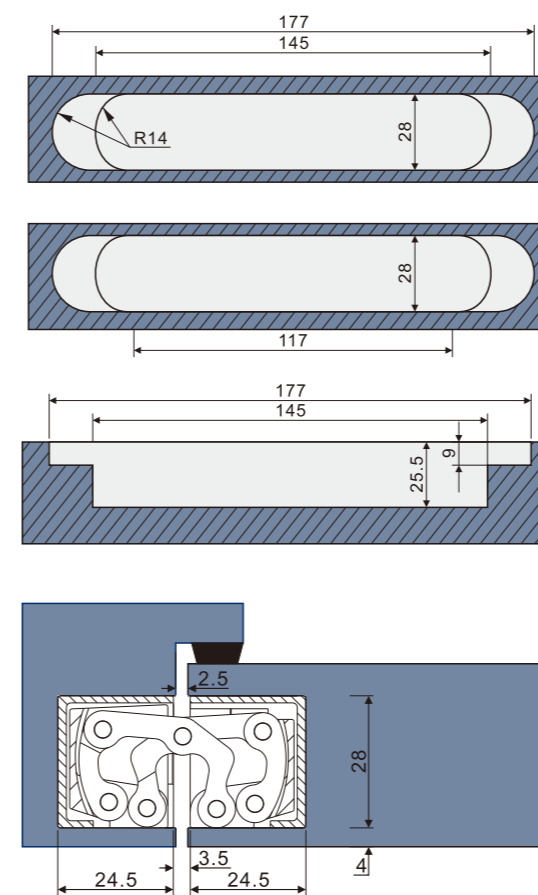
可调隐藏合页/
Adjustable concealed hinge



外形尺寸/Overall dimension



开孔尺寸/Cut out

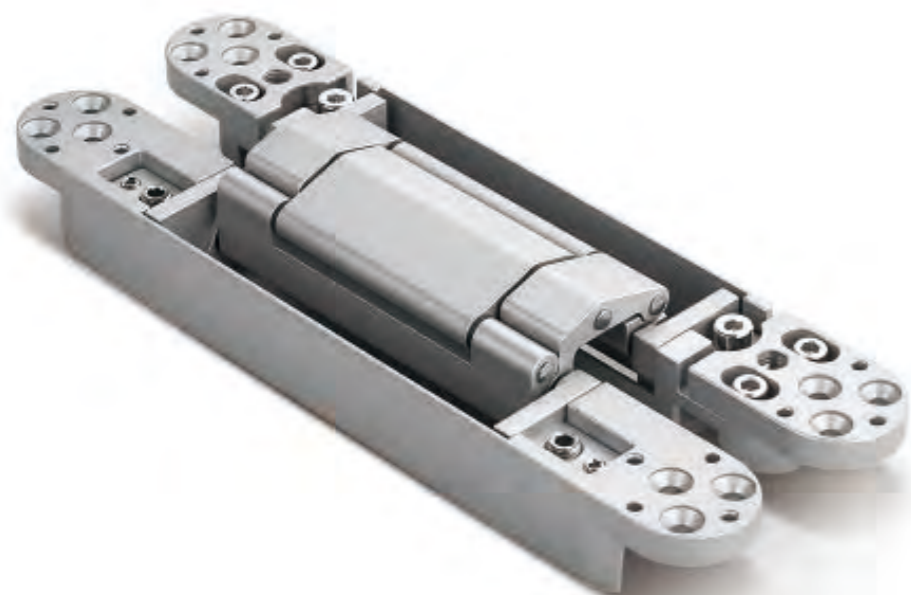


技术参数/Technical info

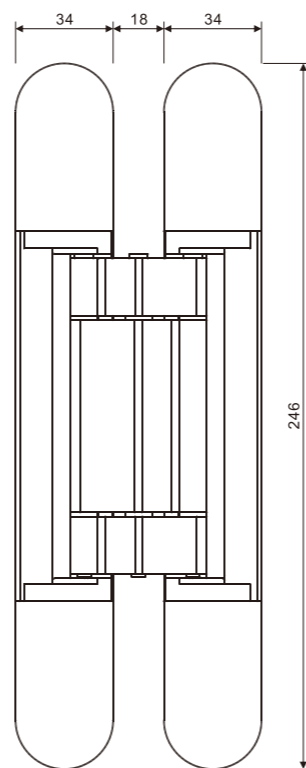
适用门类 Type of doors	嵌入式安装 Flush mounted	
可调范围 Adjustments	上下 Vertical	+/- 3mm
	左右 Horizontal	+/- 2mm
	前后 Depth	+/- 1mm
开启角度 Opening angel	180°	
最大承重 Max door weight	单个门扇2个铰链 2 Hinges per Door Leaf	80 Kg
门扇最小厚度 Min door thickness	40 mm	
门扇最大宽度 Max door width	1000 mm	
材质 Material	铰链体 Hinge Body	锌合金 Zinc Alloy
	接合器 Joiners	铝合金 Aluminum
	主轴 Spindles	不锈钢\钢 Stainless\Steel
表面处理 Finishes	珍珠铬\镀镍\镀铜\喷漆 Chrome\Nickel\Brass\Painting	

ZCG 120

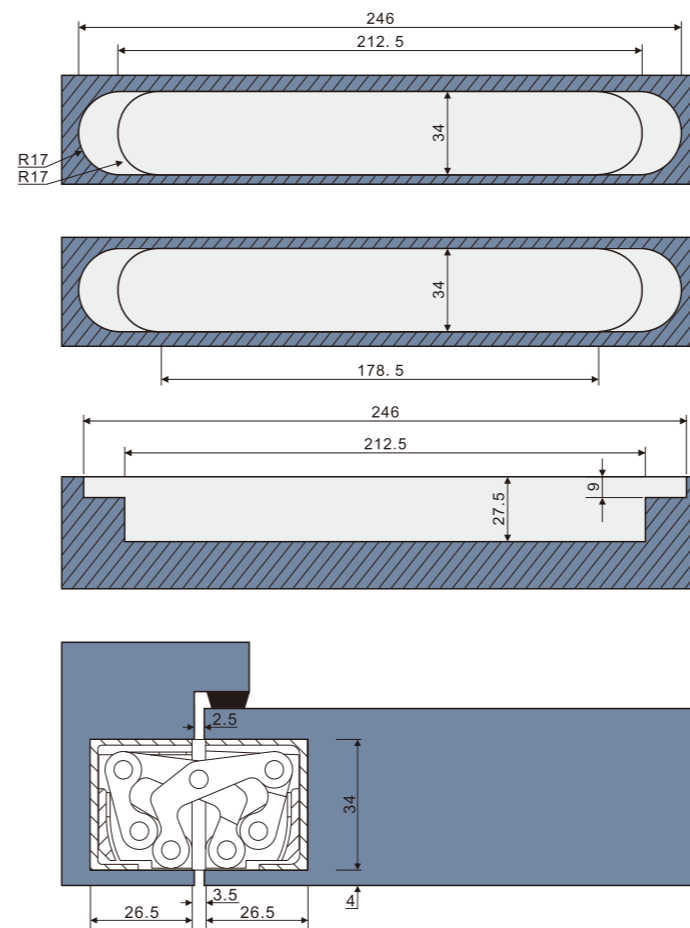
可调隐藏合页/
Adjustable concealed hinge



外形尺寸/Overall dimension



开孔尺寸/Cut out



技术参数/Technical info

适用门类 Type of doors	嵌入式安装 Flush mounted	
可调范围 Adjustments	上下 Vertical	+/- 3mm
	左右 Horizontal	+/- 2mm
	前后 Depth	+/- 1mm
开启角度 Opening angel	180°	
最大承重 Max door weight	单个门扇2个铰链 2 Hinges per Door Leaf	120 Kg
门扇最小厚度 Min door thickness	45 mm	
门扇最大宽度 Max door width	1400 mm	
材质 Material	铰链体 Hinge Body	锌合金 Zinc Alloy
	接合器 Joiners	铝合金 Aluminum
	主轴 Spindles	不锈钢\钢 Stainless\Steel
表面处理 Finishes	珍珠铬\镀镍\镀铜\喷漆 Chrome\Nickle\Brass\Painting	

特别提示 /Note

门扇和门框间距小，具有防夹手功能
Finger protection due to small gap between door and frame

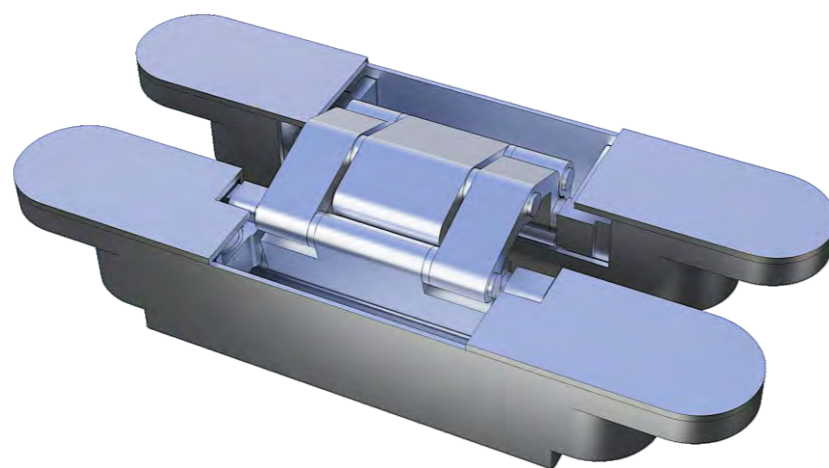
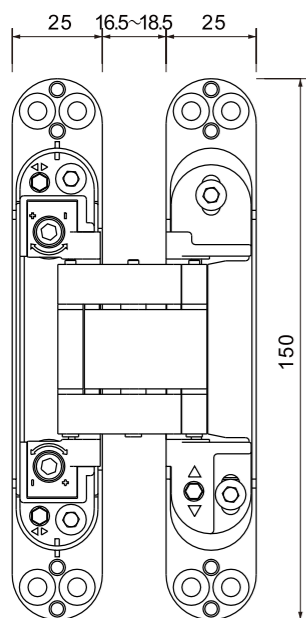
应用领域 /Application

适用于防火门、防烟门、隔音门、防盗门等
Completely concealed for flush door with wood steel or aluminum frame

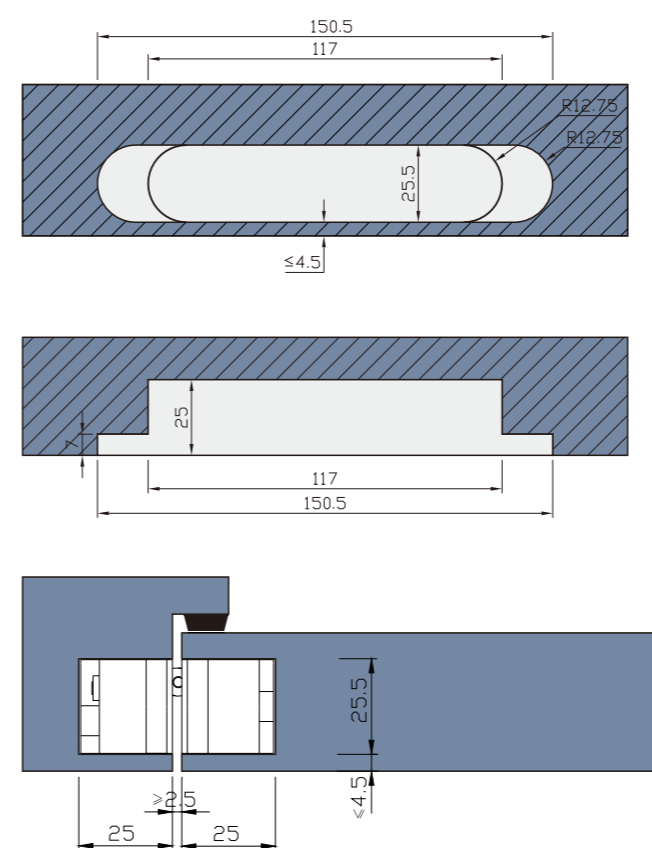
ZCG 40KG-E

可调隐藏合页/
Adjustable concealed hinge

外形尺寸/Overall dimension



开孔尺寸/Cut out

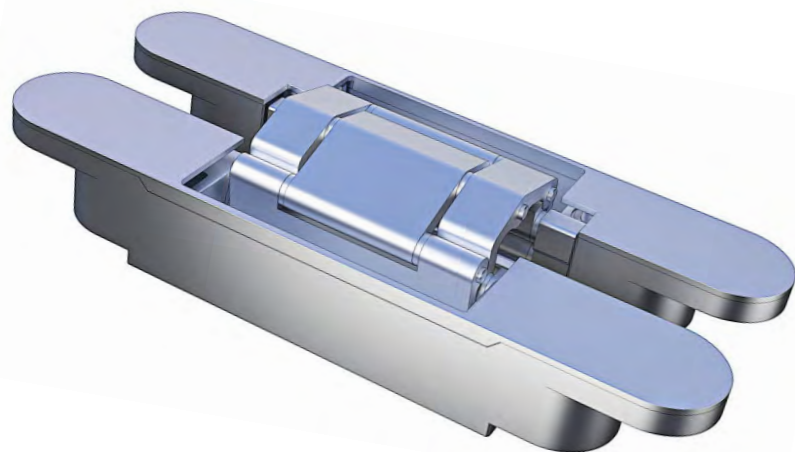


技术参数/Technical info

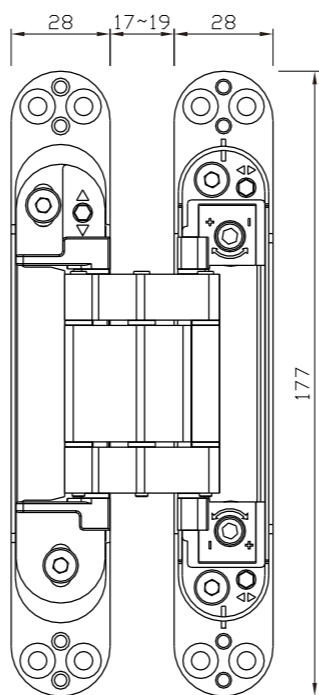
适用门类 Type of doors	嵌入式安装 Flush mounted	
可调范围 Adjustments	上下 Vertical	+/- 3mm
	左右 Horizontal	+/- 2.5mm
	前后 Depth	+/- 1mm
开启角度 Opening angel	180°	
最大承重 Max door weight	单个门扇2个铰链 2 Hinges per Door Leaf	40 Kg
门扇最小厚度 Min door thickness	35 mm	
门扇最大宽度 Max door width	850 mm	
材质 Material	铰链体 Hinge Body	锌合金 Zinc Alloy
	接合器 Joiners	铝合金 Aluminum
	主轴 Spindles	不锈钢\钢 Stainless\Steel
表面处理 Finishes	珍珠铬\镀镍\镀铜\喷漆 Chrome\Nickle\Brass\Painting	

ZCG 80KG-E

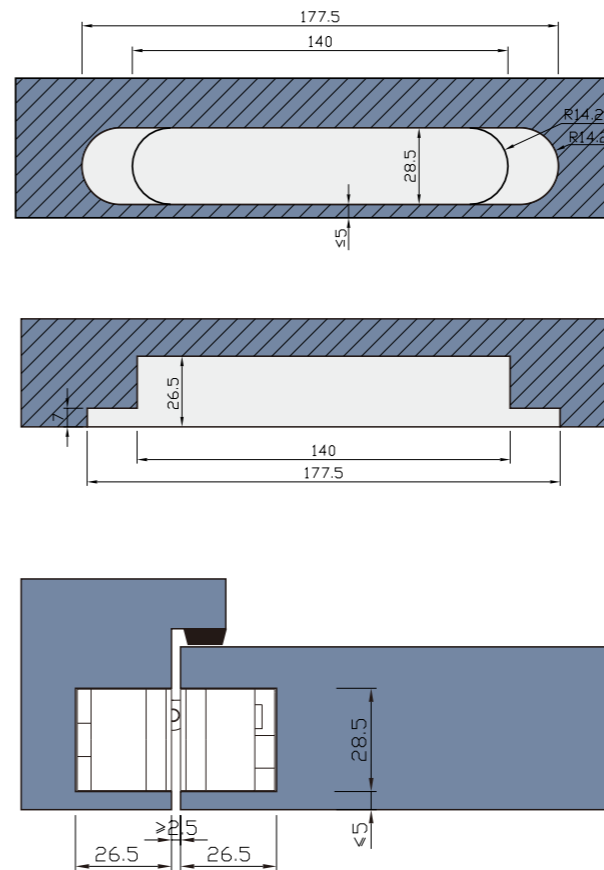
可调隐藏合页/
Adjustable concealed hinge



外形尺寸/Overall dimension



开孔尺寸/Cut out



技术参数/Technical info

适用门类 Type of doors	嵌入式安装 Flush mounted	
可调范围 Adjustments	上下 Vertical	+/- 3mm
	左右 Horizontal	+/- 2.5mm
	前后 Depth	+/- 1mm
开启角度 Opening angel	110°	
最大承重 Max door weight	单个门扇2个铰链 2 Hinges per Door Leaf	40 Kg
门扇最小厚度 Min door thickness	40mm	
门扇最大宽度 Max door width	1100 mm	
材质 Material	铰链体 Hinge Body	锌合金 Zinc Alloy
	接合器 Joiners	铝合金 Aluminum alloy
	主轴 Spindles	不锈钢\钢 Stainless\Steel
表面处理 Finishes	珍珠铬\镀镍\镀铜\喷漆 Chrome\Nickle\Brass\Painting	

特别提示 /Note

门扇和门框间距小，具有防夹手功能
Finger protection due to small gap between door and frame

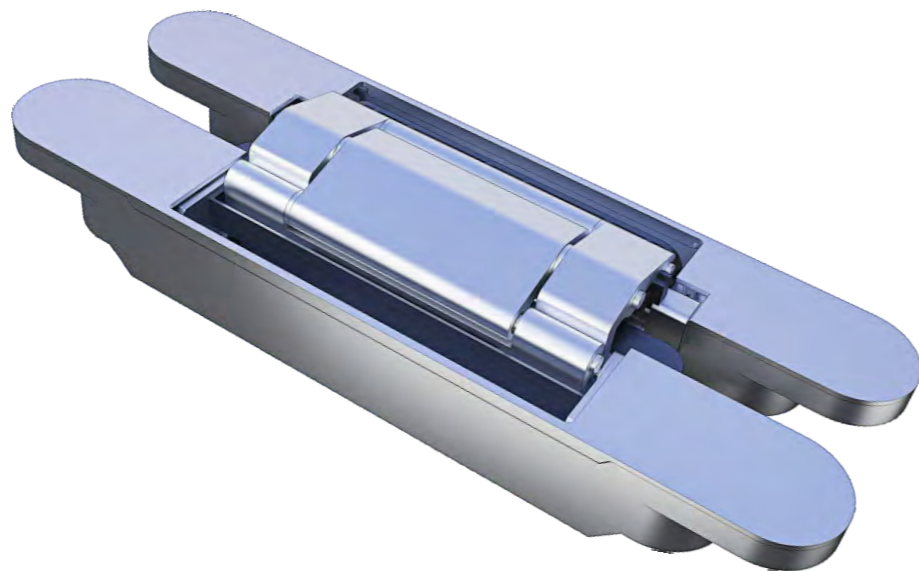
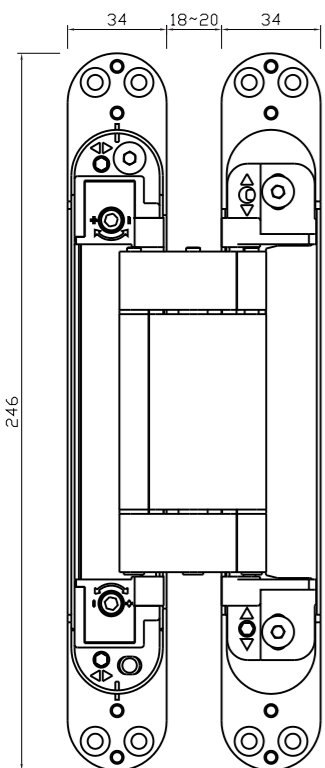
应用领域 /Application

适用于防火门、防烟门、隔音门、防盗门等
Completely concealed for flush door with wood steel or aluminum frame

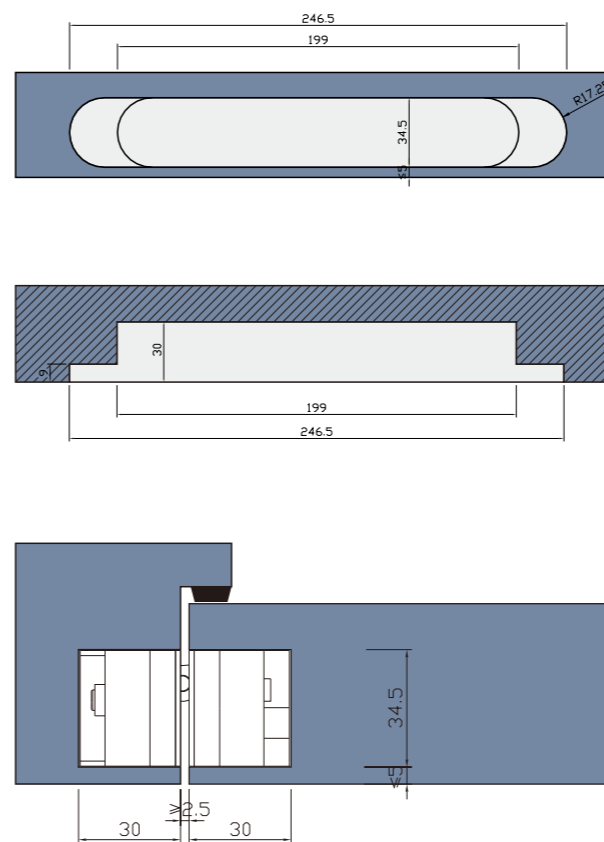
ZCG 120KG-E

可调隐藏合页/
Adjustable concealed hinge

外形尺寸/Overall dimension



开孔尺寸/Cut out



技术参数/Technical info

适用门类 Type of doors	嵌入式安装 Flush mounted	
可调范围 Adjustments	上下 Vertical	+/- 3mm
	左右 Horizontal	+/- 2.5mm
	前后 Depth	+/- 1mm
开启角度 Opening angel	180°	
最大承重 Max door weight	单个门扇2个铰链 2 Hinges per Door Leaf	120 Kg
门扇最小厚度 Min door thickness	40 mm	
门扇最大宽度 Max door width	1100 mm	
材质 Material	铰链体 Hinge Body	锌合金 Zinc Alloy
	接合器 Joiners	铝合金 Aluminum
	主轴 Spindles	不锈钢\钢 Stainless\Steel
表面处理 Finishes	珍珠铬\镀镍\镀铜\喷漆 Chrome\Nickle\Brass\Painting	

2D ADJUSTABLE SINGLE AXIS

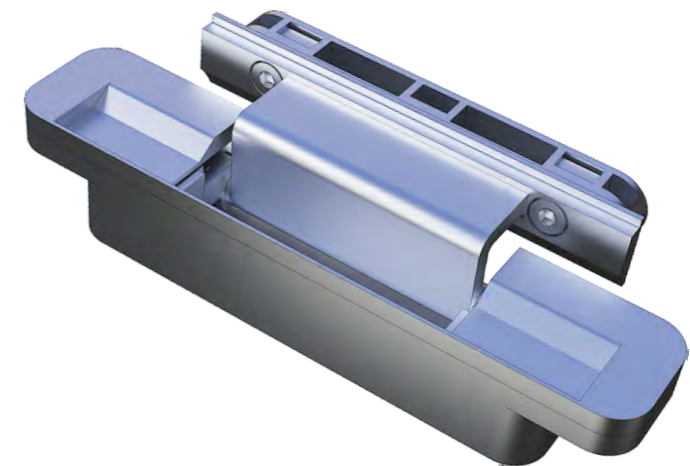


2D/3D ADJUSTABLE SINGLE AXIS



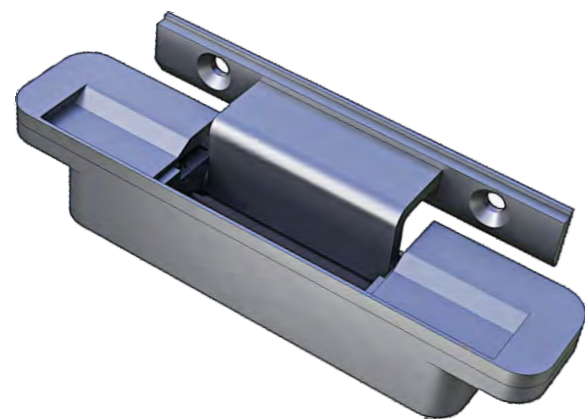
看似
简约的'背后'是

精巧的细节设计和纯熟的工艺运用
“细节并不细微，它们成就了产品。
最终是这些细节给予了产品生命。”

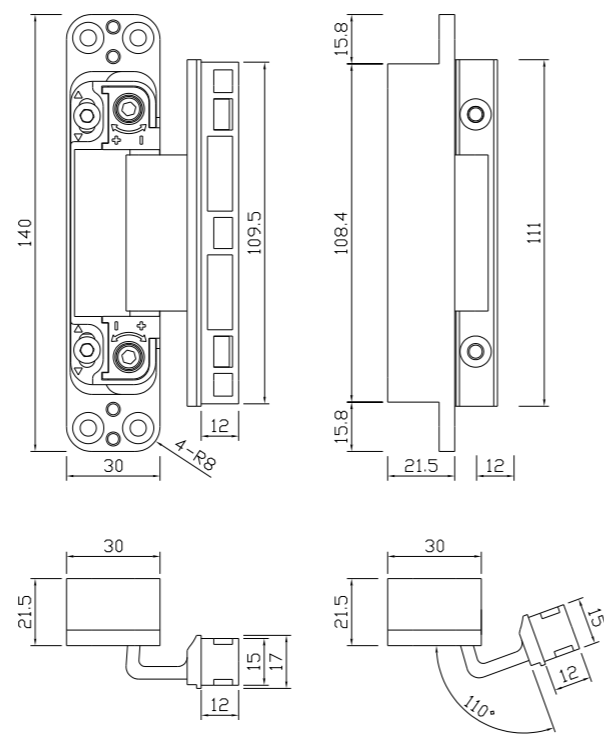


HY 40KG-I

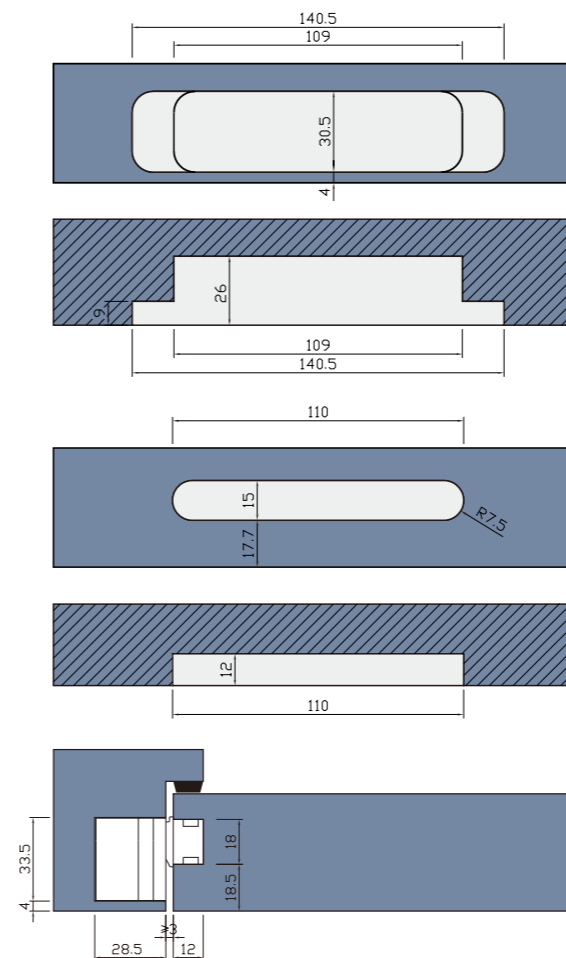
可调隐藏合页/
Adjustable concealed hinge



外形尺寸/Overall dimension



开孔尺寸/Cut out



技术参数/Technical info

适用门类 Type of doors	嵌入式安装 Flush mounted	
可调范围 Adjustments	上下 Vertical	+/- 3mm
	左右 Horizontal	+/- 2mm
	前后 Depth	+/- 1mm
开启角度 Opening angel	110°	
最大承重 Max door weight	单个门扇2个铰链 2 Hinges per Door Leaf	40 Kg
门扇最小厚度 Min door thickness	40mm	
门扇最大宽度 Max door width	1100 mm	
材质 Material	铰链体 Hinge Body	锌合金 Zinc Alloy
	接合器 Joiners	铝合金 Aluminum alloy
	主轴 Spindles	不锈钢\钢 Stainless\Steel
表面处理 Finishes	珍珠铬\镀镍\镀铜\喷漆 Chrome\Nickle\Brass\Painting	

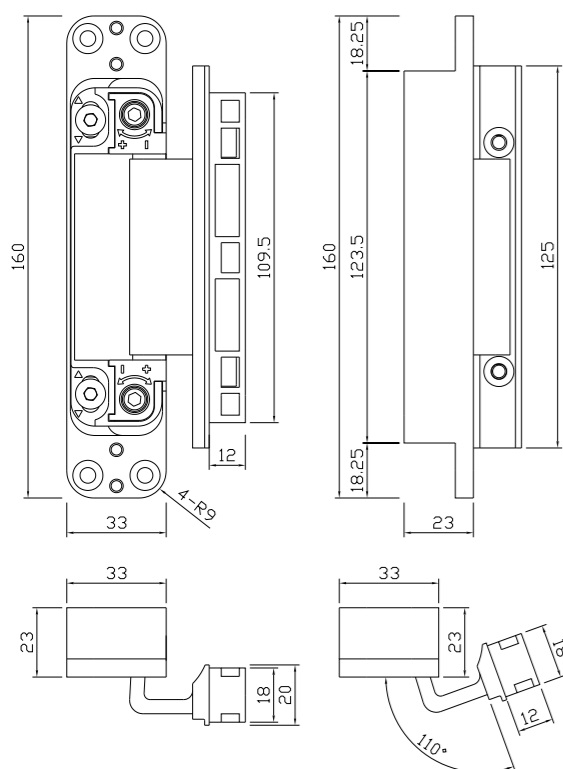
特别提示 /Note

门扇和门框间距小，具有防夹手功能
Finger protection due to small gap between door and frame

应用领域 /Application

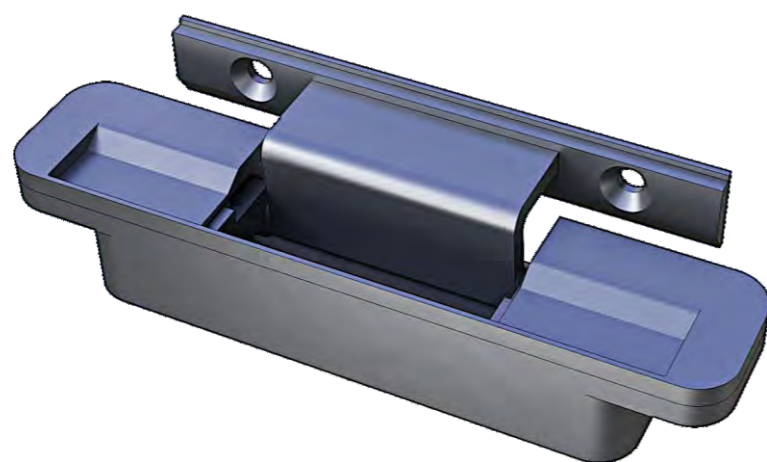
适用于防火门、防烟门、隔音门、防盗门等
Completely concealed for flush door with wood steel or aluminum frame

外形尺寸/Overall dimension

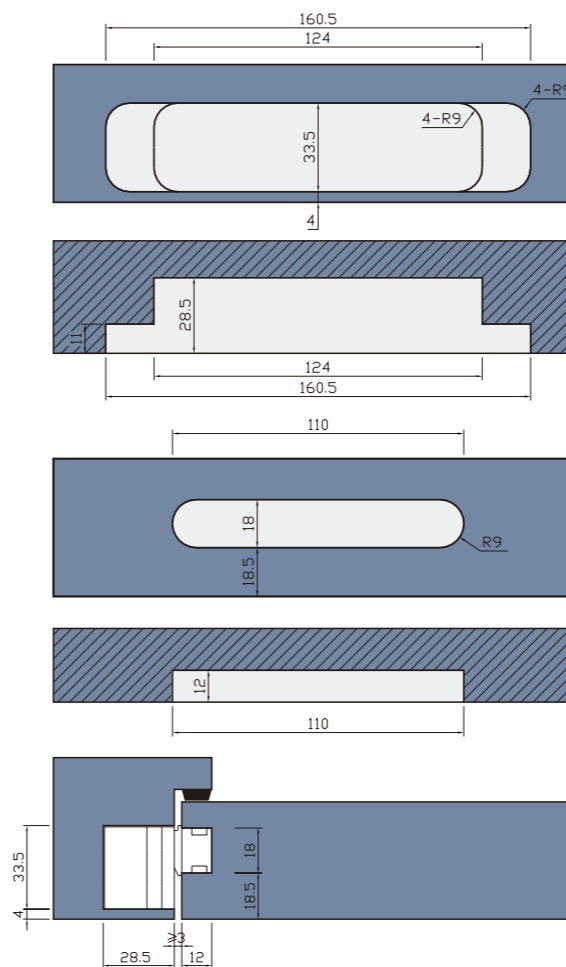


HY 80KG-I

可调隐藏合页/
Adjustable concealed hinge



开孔尺寸/Cut out



技术参数/Technical info

适用门类 Type of doors	嵌入式安装 Flush mounted	
可调范围 Adjustments	上下 Vertical	+/- 3mm
	左右 Horizontal	+/- 2mm
	前后 Depth	+/- 1mm
开启角度 Opening angel	110°	
最大承重 Max door weight	单个门扇2/3个铰链 2/3 Hinges per Door Leaf	60/80 Kg
门扇最小厚度 Min door thickness	40mm	
门扇最大宽度 Max door width	1100 mm	
材质 Material	铰链体 Hinge Body	锌合金 Zinc Alloy
	接合器 Joiners	铝合金 Aluminum alloy
	主轴 Spindles	不锈钢\钢 Stainless\Steel
表面处理 Finishes	珍珠铬\镀镍\镀铜\喷漆 Chrome\Nickle\Brass\Painting	